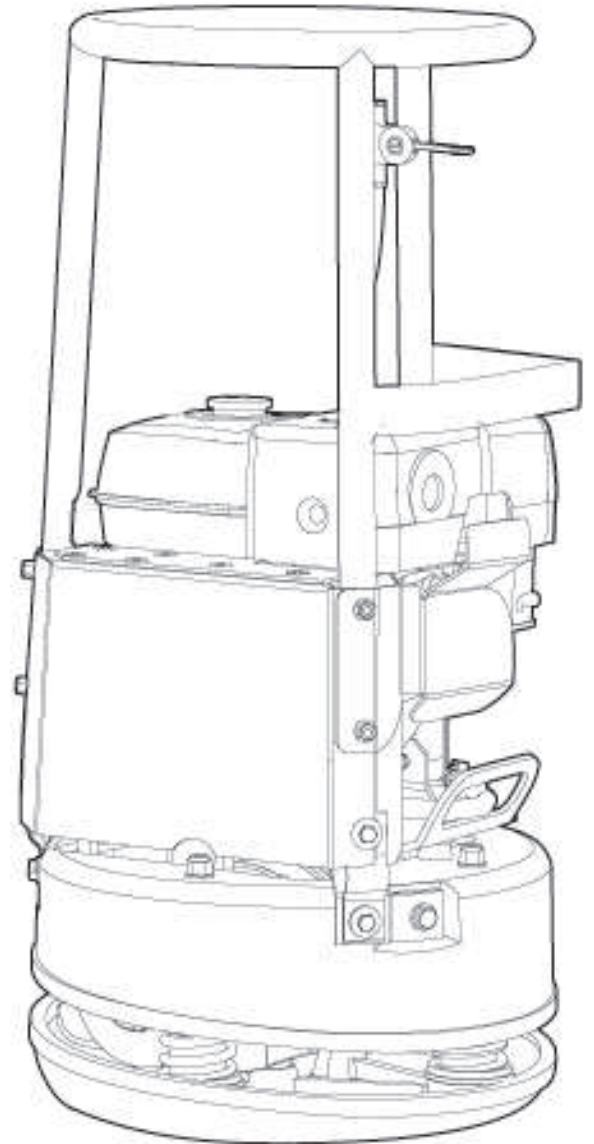


Spare parts list Forward plate

| | Valid from serial number |
|-------------|--------------------------|
| LX 90 Honda | 19005001 |
| LX 90 Honda | BGF000001 |



Contents

| | |
|--|----|
| General information..... | 5 |
| Spare parts list..... | 6 |
| Ground plate, engine plate and handle..... | 6 |
| Eccentric element..... | 8 |
| Engine installation..... | 10 |
| Engine, Honda GX 160 UT2 SXS4 OH..... | 12 |
| Centrifugal clutch..... | 16 |
| Throttle control..... | 18 |
| Labels..... | 20 |
| Kits..... | 22 |
| One year service kit, Honda..... | 22 |
| Shock absorber repair kit..... | 22 |

General information

This spare parts list applies to the following:

| Part number | Description |
|--------------|---------------------------|
| 3382 0000 53 | Forward plate LX 90 Honda |

Use only authorized parts. Any damage or malfunction caused by the use of unauthorized parts is not covered by Warranty or Product Liability. Any unauthorized use or copying of the contents or any part thereof is prohibited. This applies in particular to trademarks, model denominations, part numbers, and drawings.

Instructions for use

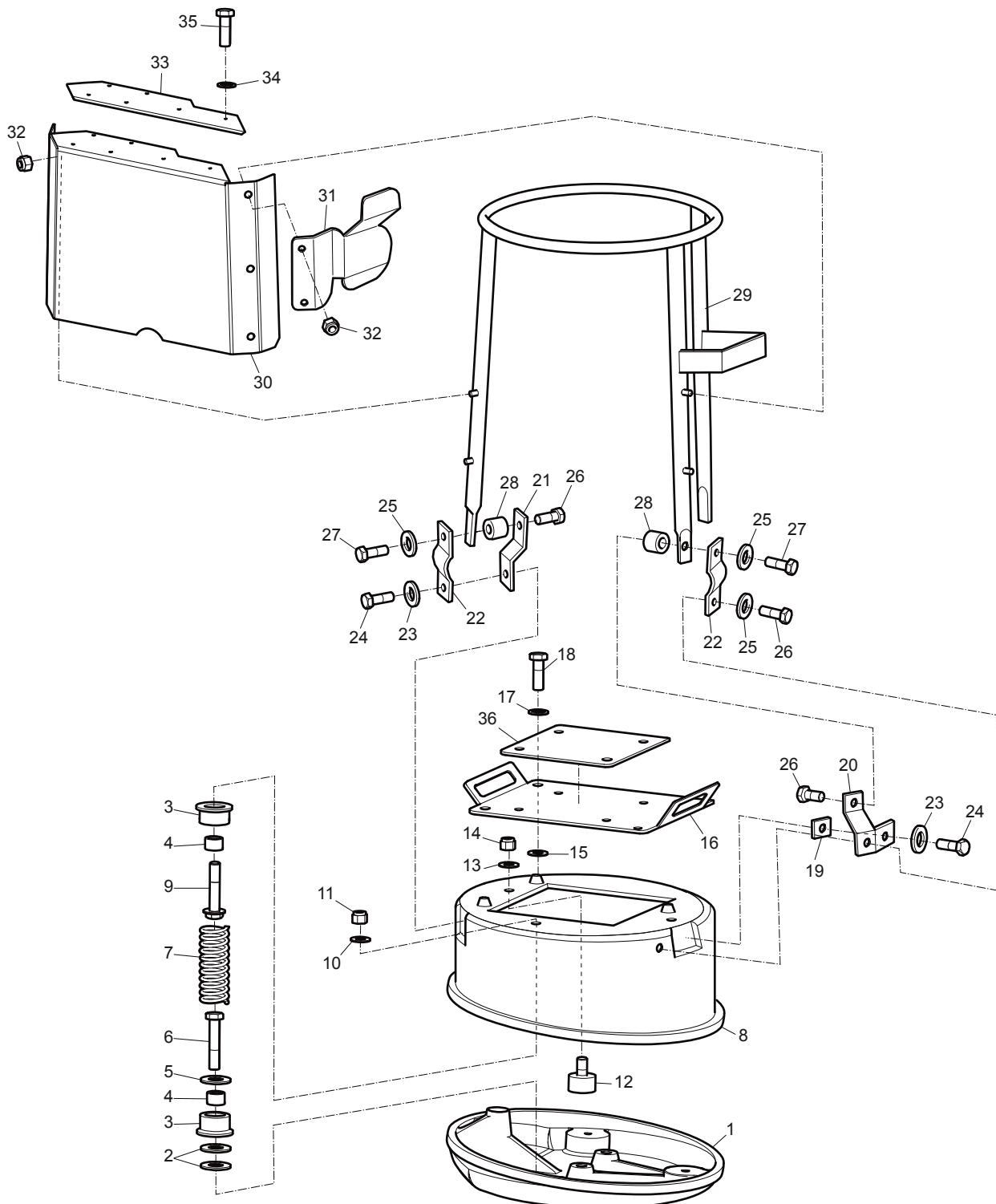
This spare parts list contains no safety regulations and is merely intended to assist in the ordering of spare parts.

For information about operating, servicing, or repairing, the relevant Safety and operating instructions must be consulted at all costs.

Please observe the safety instructions listed in the relevant Safety and operating instructions!

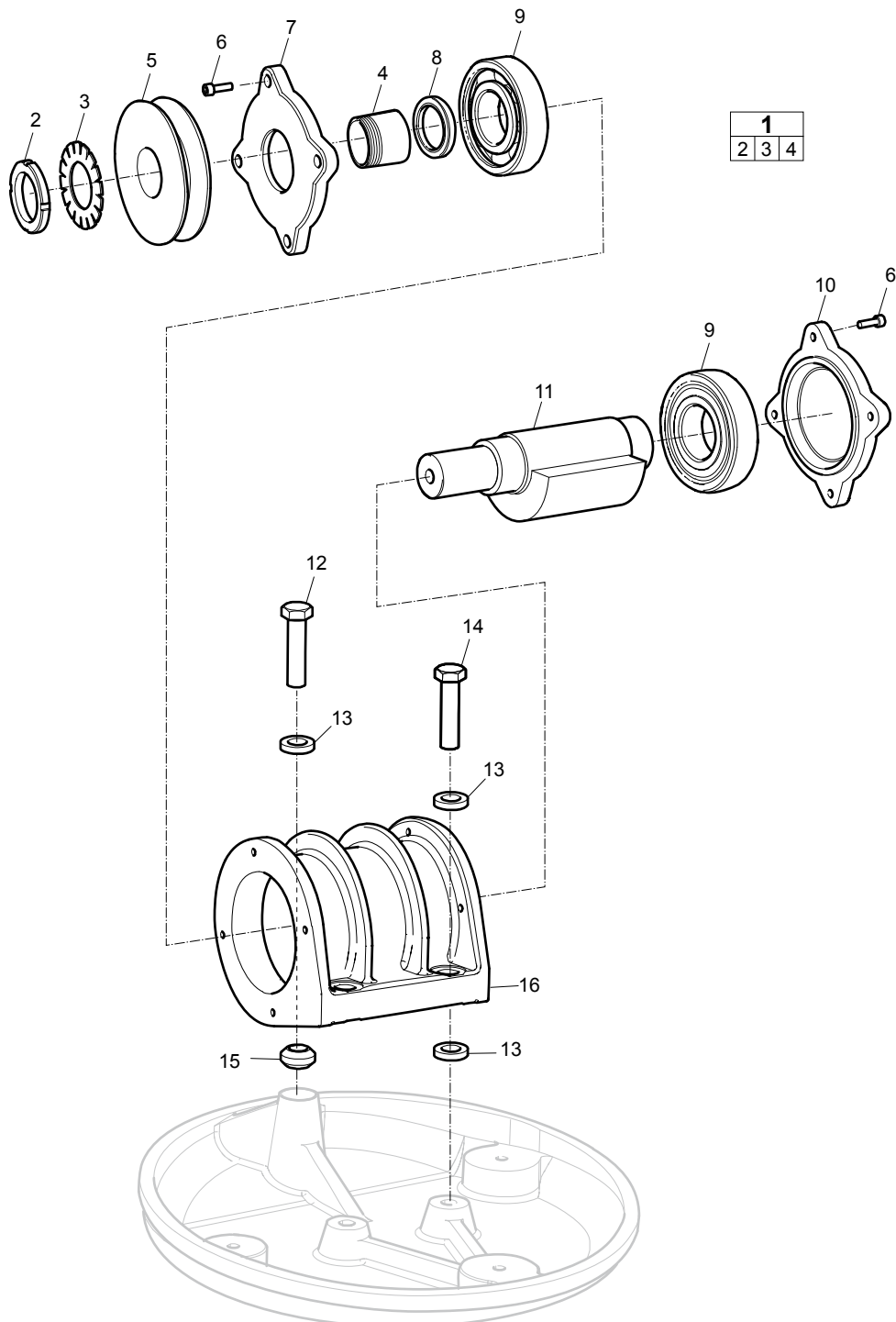
Spare parts list

Ground plate, engine plate and handle



| No. | Description | Remark | Quantity | Part number |
|-----|----------------|--|----------|--------------|
| 1 | Ground plate | | 1 | 4700 3879 13 |
| 2 | Washer | | 5 | 3382 0106 02 |
| 3 | Bushing | | 6 | 3382 0106 00 |
| 4 | Spacer sleeve | | 6 | 3382 0106 01 |
| 5 | Washer | 13 x 45 x 4 mm 0.51 x 1.77 x 0.16 A2K | 3 | - |
| 6 | Screw | M12 x 60 mm 8.8 A3K | 3 | - |
| 7 | Spring | | 3 | 4700 2826 78 |
| 8 | Engine base | | 1 | 3382 0105 77 |
| 9 | Screw | | 3 | 3382 0106 04 |
| 10 | Washer | 13 x 24 x 2 mm 0.51 x 0.98 x 0.08 in. 300 HV | 3 | - |
| 11 | Nut | M12 | 3 | - |
| 12 | Shock absorber | | 1 | 3382 0105 98 |
| 13 | Washer | 8.4 x 16 x 1.5 mm 0.33 x 0.63 x 0.06 in. 300 HV | 1 | - |
| 14 | Nut | M8 | 1 | - |
| 15 | Washer | 10.5 x 28 x 6 mm 0.41 x 1.10 x 0.24 in. 300 HV | 3 | - |
| 16 | Engine plate | | 1 | 4700 2822 95 |
| 17 | Washer | 10.5 x 22 x 2 mm 0.41 x 0.87 x 0.08 in. 300 HV | 3 | - |
| 18 | Screw | M10 x 25 mm 8.8 A3K | 1 | - |
| 19 | Washer | 14 x 40 x 4 mm 0.55 x 1.57 x 0.16 | 1 | - |
| 20 | Bracket | | 1 | 3382 0106 03 |
| 21 | Bracket | | 2 | 3382 0105 97 |
| 22 | Strap | | 3 | 3382 0105 78 |
| 23 | Washer | 10.5 x 22 x 4 mm 0.41 x 0.87 x 0.16 in. 300 HV | 3 | - |
| 24 | Screw | M10 x 30 mm 8.8 A3K | 3 | - |
| 25 | Washer | 8.4 x 26 x 4 mm 0.33 x 1.02 x 0.16 in. 300 HV | 4 | - |
| 26 | Screw | M8 x 12 mm 8.8 A2K | 4 | - |
| 27 | Screw | M8 x 20 mm 8.8 A2K | 3 | - |
| 28 | Shock absorber | | 3 | 4700 3775 57 |
| 29 | Handle | | 1 | 3382 0105 75 |
| 30 | Belt guard | | 1 | 3382 0105 76 |
| 31 | Thermal guard | | 1 | 7400 2825 85 |
| 32 | Nut | M8 x 1.25 mm A2K | 4 | - |
| 33 | Rubber cloth | | 1 | 3382 0106 07 |
| 34 | Washer | 5 x 19 x 1 mm 0.20 x 0.78 x 0.04 | 6 | - |
| 35 | Blind rivet | | 6 | 4700 9048 56 |
| 36 | Shock absorber | | 1 | 3382 0106 05 |

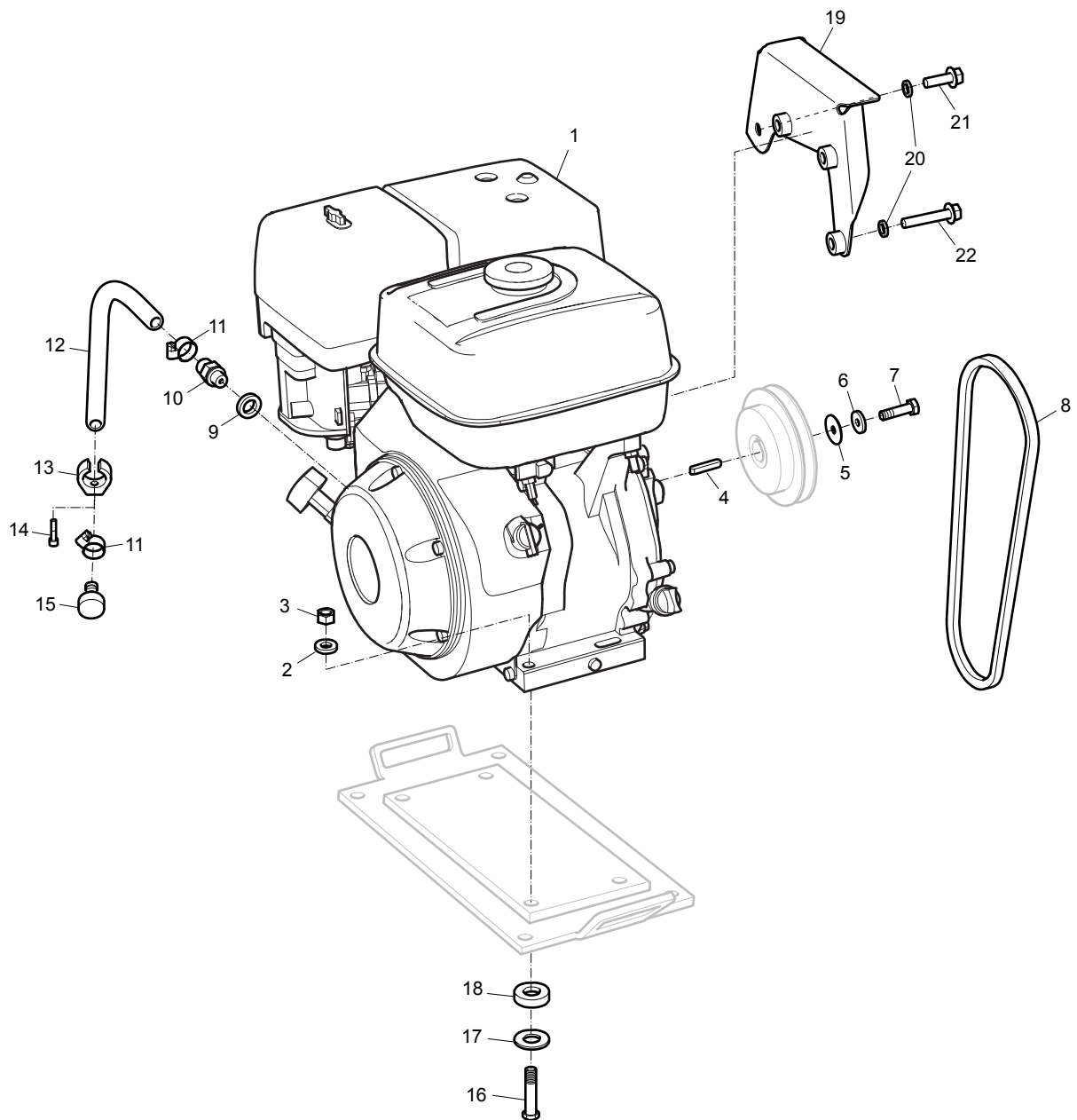
Eccentric element



| No. | Description | Remark | Quantity | Part number |
|--------|---------------------------|---|----------|--------------|
| 1(2-4) | Clamping sleeve, complete | | 1 | 3382 0105 88 |
| 2 | Shaft nut | | 1 | - |
| 3 | Lock washer | | 1 | - |
| 4 | Clamping sleeve | | 1 | - |
| 5 | Pulley | | 1 | 3382 0105 94 |
| 6 | Screw | M6 x 20 mm 8.8 A2K | 8 | - |
| 7 | Cover | | 1 | 3382 0105 92 |
| 8 | Sealing ring | | 1 | 3382 0105 89 |
| 9 | Ball bearing | | 2 | 3382 0105 87 |
| 10 | Cover | | 1 | 3382 0105 91 |
| 11 | Eccentric shaft | | 1 | 3382 0105 93 |
| 12 | Screw | M16 x 75 mm 10.9 GEOMET® | 1 | 4700 9479 43 |
| 13 | Washer | 17 x 30 x 6 mm 0.70 x 1.18 x 0.24 in. 300 HV | 5 | - |
| 14 | Screw | M16 x 65 mm 10.9 GEOMET® | 2 | 4700 9476 99 |
| 15 | Washer | | 1 | 3382 0105 99 |
| 16 | Eccentric housing | | 1 | 3382 0105 90 |

GEOMET is a registered trademark of Nof Metal Coatings North America Inc.

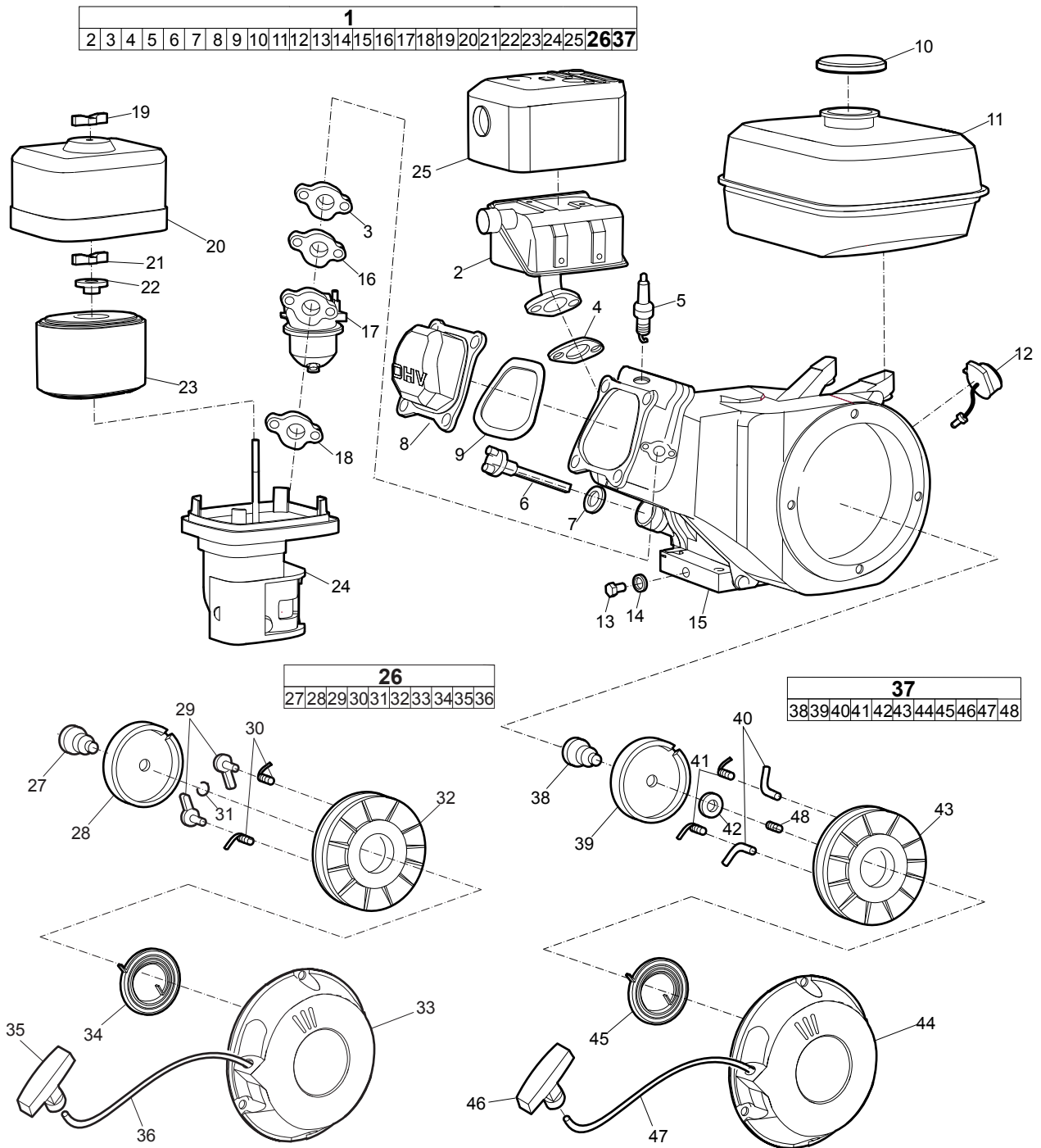
Engine installation



| No. | Description | Remark | Quantity | Part number |
|-----|-----------------|--|----------|--------------|
| 1 | Engine | Honda GX160UT2 SXS4 SD | 1 | 4700 2811 25 |
| 2 | Washer | 8.4 x 16 x 1.5 mm 0.33 x 0.63 x 0.06 in. 300 HV | 4 | - |
| 3 | Nut | M8 | 4 | - |
| 4 | Key | | 1 | - |
| 5 | Washer | 21 x 36 x 3 mm 0.83 x 1.42 x 0.24 in. 300 HV | 1 | - |
| 6 | Washer | 8.4 x 26 x 4 mm 0.33 x 1.02 x 0.16 in. 300 HV | 1 | - |
| 7 | Screw | M8 x 20 mm 8.8 A2K | 1 | - |
| 8 | V-belt | | 1 | 4700 2386 35 |
| 9 | Washer | 10 x 14 x 1 mm 0.39 x 0.55 x 0.04 in. | 1 | - |
| 10 | Hose connection | | 1 | 4812 0703 74 |
| 11 | Clamp | | 2 | 4700 3130 01 |
| 12 | Hose | | 1 | 3382 0101 86 |
| 13 | RYW clip | | 1 | 4700 2812 34 |
| 14 | Screw | M5 x 16 mm | 1 | - |
| 15 | Plug | | 1 | 3382 0101 80 |
| 16 | Screw | M8 x 55 mm 8.8 A2K | 4 | - |
| 17 | Washer | 9 x 35 x 2 mm 0.35 x 1.38 x 0.08 in. SR | 4 | - |
| 18 | Washer | | 4 | 3382 0106 06 |
| 19 | Cover | | 1 | 4812 0702 94 |
| 20 | Washer | 8 x 13.5 mm 0.53 x 0.31 x in. NORD-LOCK® | 7 | - |
| 21 | Screw | M8 x 25 mm 8.8 A2K | 1 | - |
| 22 | Screw | M8 x 45 mm 8.8 A2K | 3 | - |

NORD-LOCK is a registered trademark of Nord-Lock International AB.

Engine, Honda GX 160 UT2 SXS4 OH

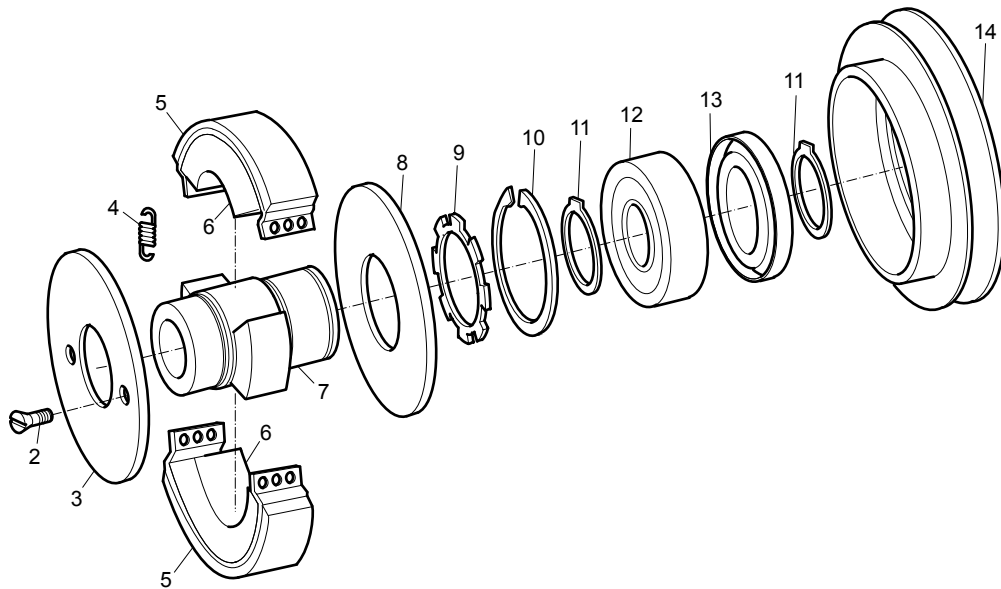


| No. | Description | Remark | Quantity | Part number |
|----------------------|---------------------------------|---|----------|--------------|
| 1(2-25,26,37) | Engine, complete | | 1 | 4700 2811 25 |
| 2 | Silencer | | 1 | 3382 1001 63 |
| 3 | Gasket | | 1 | 3382 1001 68 |
| 4 | Gasket | | 1 | 4700 2390 63 |
| 5 | Spark plug | | 1 | 3382 1001 67 |
| 6 | Oil dip stick | | 1 | 3382 1001 65 |
| 7 | Gasket | | 1 | 3382 1001 66 |
| 8 | Valve cover | | 1 | 4700 9379 17 |
| 9 | Valve cover gasket | | 1 | 4700 2383 01 |
| 10 | Fuel cap | | 1 | 3382 1001 74 |
| 11 | Fuel tank | | 1 | 3382 1001 73 |
| 12 | Engine switch | | 1 | 3382 1001 72 |
| 13 | Oil plug | | 1 | 4700 2383 02 |
| 14 | Gasket | | 1 | 4700 2383 03 |
| 15 | Engine part | | 1 | - |
| 16 | Gasket | | 1 | 4700 9370 49 |
| 17 | Carburetor | | 1 | 3382 1001 64 |
| 18 | Spacer | | 1 | 4700 9396 59 |
| 19 | Wing nut | | 1 | 4700 2397 71 |
| 20 | Air filter cover | | 1 | 4700 2396 85 |
| 21 | Wing nut | | 1 | 4700 2397 71 |
| 22 | Grommet | | 1 | 4700 2397 72 |
| 23 | Airfilter | Delivered with outer and inner filter. | 1 | 4700 2393 23 |
| 24 | Air filter housing | | 1 | 4700 9382 30 |
| 25 | Silencer cover | | 1 | 4700 2390 60 |
| 26(27-36) | Recoil starter, complete | Valid up to engine serial number 1411005. Red | 1 | 4700 2390 65 |
| 27 | Adjustment screw | | 1 | 4700 2393 81 |
| 28 | Guide | | 1 | 4700 2393 80 |
| 29 | Ratchet | Valid up to engine serial number 1411005. | 2 | 4700 2393 78 |
| 30 | Spring | | 2 | 4700 2393 77 |
| 31 | Friction spring | Valid up to engine serial number 1411005. | 1 | 4700 2393 79 |
| 32 | Reel | | 1 | 4700 2393 76 |
| 33 | Housing | | 1 | - |
| 34 | Spring | | 1 | 4700 2393 75 |
| 35 | Handle | | 1 | 4700 2393 91 |
| 36 | Rope | | 1 | 4700 2393 74 |
| 37(38-48) | Recoil starter, complete | Valid from engine serial number 1411006. Black | 1 | 3382 1001 76 |
| 38 | Adjustment screw | Valid from engine serial number 1411006. | 1 | 3382 1001 77 |
| 39 | Guide | | 1 | 4700 2393 80 |
| 40 | Ratchet | Valid from engine serial number 1411006. | 2 | 3382 1001 69 |
| 41 | Spring | | 2 | 4700 2393 77 |
| 42 | Washer | Valid from engine serial number 1411006. | 1 | 3382 1001 70 |
| 43 | Reel | Valid from engine serial number 1411006. | 1 | 3382 1001 71 |
| 44 | Housing | | 1 | - |
| 45 | Spring | | 1 | 4700 2393 75 |
| 46 | Handle | | 1 | 4700 2393 91 |

| No. | Description | Remark | Quantity | Part number |
|-----|-------------|--|----------|--------------|
| 47 | Rope | | 1 | 4700 2393 74 |
| 48 | Spring | Valid from engine serial number 1411006. | 1 | 3382 1001 75 |

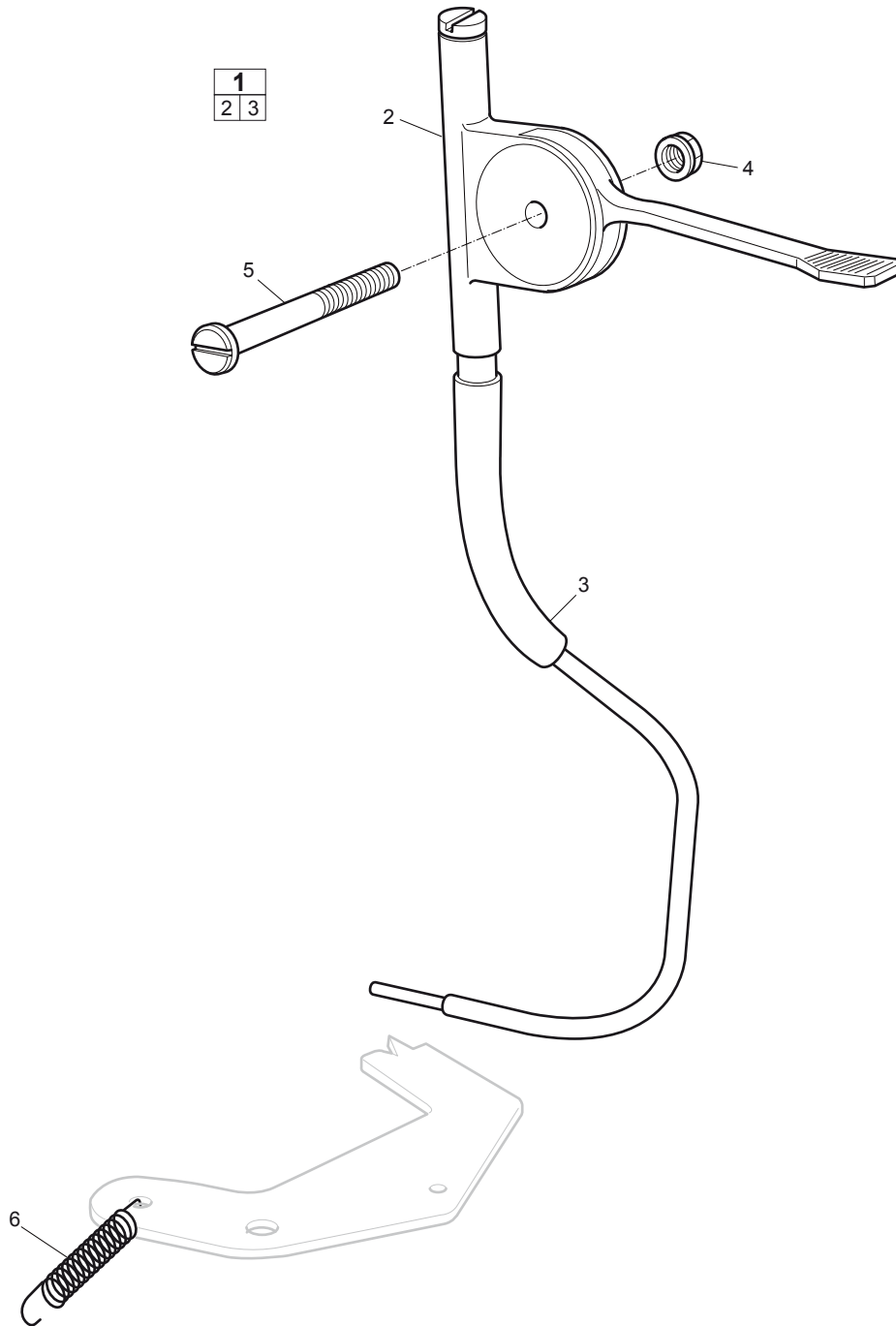
Centrifugal clutch

| | | | | | | | | | | | | | |
|----------|---|---|---|---|---|---|---|----|----|----|----|----|--|
| 1 | | | | | | | | | | | | | |
| 2 | 3 | 4 | 5 | 6 | 7 | 8 | 9 | 10 | 11 | 12 | 13 | 14 | |



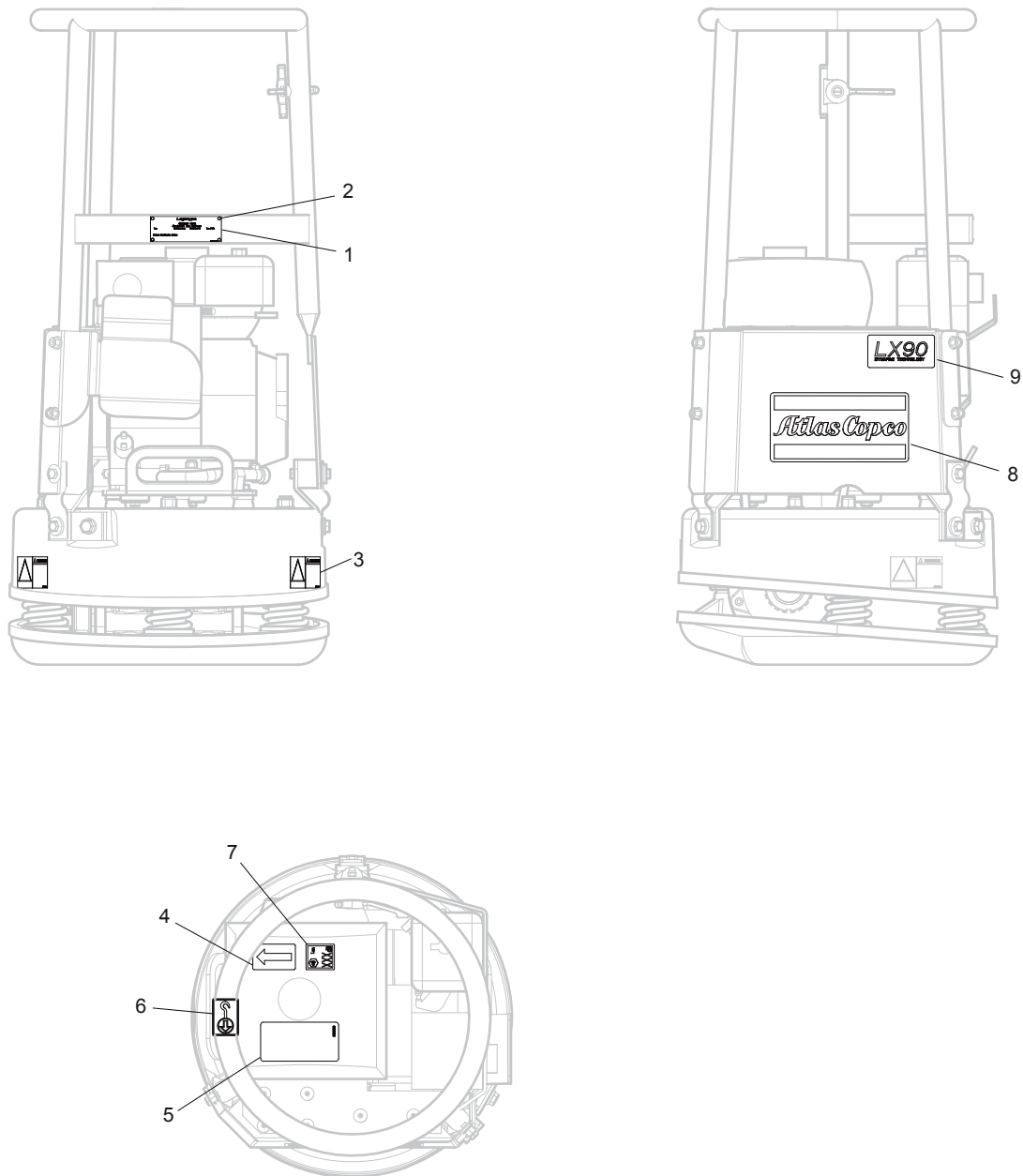
| No. | Description | Remark | Quantity | Part number |
|---------|------------------------------|--------|----------|--------------|
| 1(2-14) | Centrifugal clutch, complete | | 1 | 3382 0105 95 |
| 2 | Screw | | 2 | 4700 5350 02 |
| 3 | Cover | | 1 | 3382 0101 84 |
| 4 | Spring | | 4 | 4700 9385 31 |
| 5 | Clutch lining | | 2 | 4700 2386 06 |
| 6 | Clutch weight | | 2 | 3382 0101 85 |
| 7 | Hub | | 1 | 4700 2397 63 |
| 8 | Cover | | 1 | 4700 2398 57 |
| 9 | Retaining ring | | 1 | 4700 2395 39 |
| 10 | Retaining ring | | 1 | 4700 9387 25 |
| 11 | Snap ring | | 2 | 4700 9387 26 |
| 12 | Ball bearing | | 1 | 4700 9387 24 |
| 13 | Sealing ring | | 1 | 4700 1340 56 |
| 14 | V-belt pulley | | 1 | 4700 9379 09 |

Throttle control



| No. | Description | Remark | Quantity | Part number |
|--------|------------------|--------------------|----------|--------------|
| 1(2-3) | Throttle control | | 1 | 4700 2822 97 |
| 2 | Handle | | 1 | - |
| 3 | Wire | | 1 | - |
| 4 | Nut | M6 | 1 | - |
| 5 | Screw | M6 x 55 mm 8.8 FZB | 1 | - |
| 6 | Spring | | 1 | 4700 2808 21 |

Labels



| No. | Description | Remark | Quantity | Part number |
|-----|---------------|--|----------|--------------|
| 1 | Data plate | | 1 | - |
| 2 | Drive screw | | 4 | - |
| 3 | Safety label | Crush zone | 3 | 4700 9047 85 |
| 4 | Label | Direction | 1 | 4700 2822 96 |
| 5 | Label | Petrol, ear protection, read instruction manual, crush zone and hot surface. | 1 | 4700 3891 68 |
| 6 | Label | Lift point | 1 | 4700 3575 87 |
| 7 | Label | Sound power level | 1 | 4700 7912 92 |
| 8 | Product label | "Atlas Copco" | 1 | 3382 0100 22 |
| 9 | Product label | "LX 90" | 1 | 3382 0105 79 |

Kits

One year service kit, Honda

One year service kit

Part number 3382 1000 44

| Description | Remark | Quantity | Part number |
|---------------|------------------------------------|----------|--------------|
| Air filter | | 5 | 4700 2393 23 |
| Gasket | For oil dipstick. | 1 | 4700 2383 03 |
| Starting rope | | 1 | 4700 2393 74 |
| Spark plug | | 1 | 4700 9242 42 |
| V-belt | See section "Engine installation". | 1 | 4700 2386 35 |
| Gasket | For valve cover. | 1 | 4700 2383 01 |

Shock absorber repair kit

| Description | Remark | Quantity | Part number |
|----------------------------------|--|----------|--------------|
| Shock absorber repair kit | | 1 | 3382 1000 45 |
| Shock absorber | For engine plate. See section "Ground plate, engine plate and handle". | 1 | 3382 0105 98 |
| Shock absorber | For engine plate. See section "Engine plate". | 3 | 4700 3775 57 |
| Nut | M12 x 40 mm 8.8 A3K See section "Ground plate, engine plate and handle". | 1 | - |
| Screw | M8 x 12 mm 8.8 A2K See section "Ground plate, engine plate and handle". | 2 | - |
| Washer | 8.4 x 26 x 4 mm 0.33 x 1.02 x 0.16 in. 300 HV See section "Ground plate, engine plate and handle". | 2 | - |
| Screw | 8.4 x 16 x 1.5 mm 0.33 x 0.63 x 0.06 in. 300 HV See section "Ground plate, engine plate and handle". | 2 | - |
| Washer | 8.4 x 16 x 1.5 mm 0.33 x 0.63 x 0.06 in. 300 HV See section "Ground plate, engine plate and handle". | 1 | - |



Any unauthorized use or copying of the contents or any part thereof is prohibited.
This applies in particular to trademarks, model denominations, part numbers, and
drawings.

© 2013 Atlas Copco Construction Tools AB | No. 9800 1130 01b | 2013-03-15

www.atlascopco.com