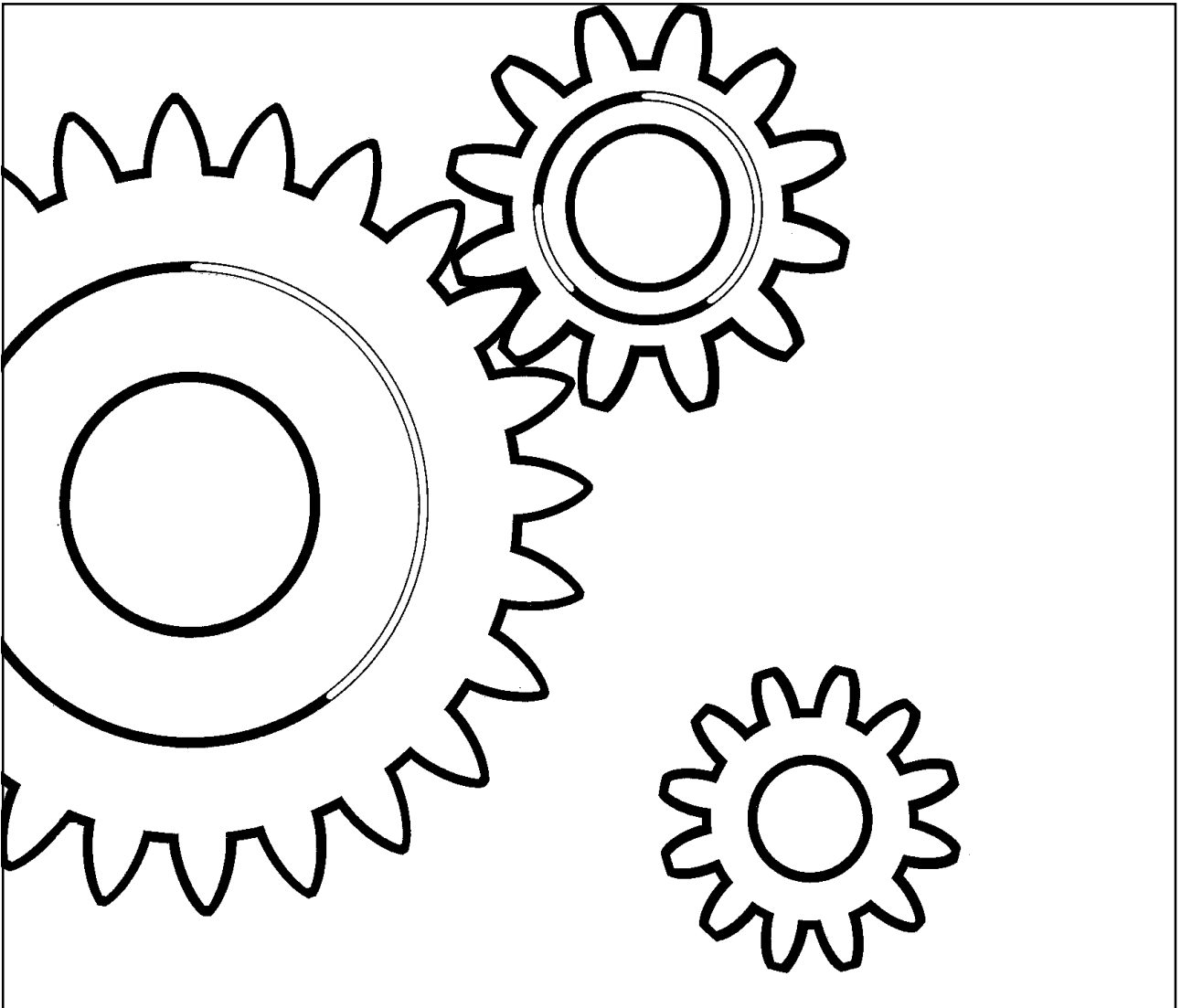


DYNAPAC LT600 SPARE PARTS CATALOGUE

SLT600-2EN2



DYNAPAC

Part of the Atlas Copco Group

Box 504, SE-371 23 Karlskrona, Sweden

Phone: +46 455 30 60 00, Fax: +46 455 30 60 10

www.dynapac.com

Rammer LT600

Spare Parts Catalogue SLT600-2EN2

Engines:

Honda GX100

<i>SLT600-1EN1</i>	<i>2002 - 01</i>	<i>Replaced by SLT600-1EN2</i>
<i>SLT600-1EN2</i>	<i>2004 - 02</i>	<i>Replaced by SLT600-1EN3</i>
<i>SLT600-1EN3</i>	<i>2005 - 07</i>	<i>Replaced by SLT600-2EN1</i>
<i>SLT600-2EN1</i>	<i>2006 - 01</i>	<i>Replaced by SLT600-2EN2</i>
<i>SLT600-2EN2</i>	<i>2009 - 04</i>	



RESERVDELSBESTÄLLNING

Följande uppgifter ska lämnas vid beställning av reservdelar för att undvika leveransfel:

1. Maskintyp.
2. Vältens serienummer.
3. Antal av önskad reservdel.
4. Reserdelens artikelnummer.
5. Reservdelens benämning.
6. Måttuppgifter vid beställning av metervara.

ERSATZTEILBESTELLUNG

Zur Vermeidung von Fehllieferungen sind bei der Bestellung von Ersatzteilen folgende Angaben zu machen:

1. Maschinentyp.
2. Herstellungsnummer.
3. Bestellmenge. (Quantity)
4. Ersatzteilnummer. (Part N^o)
5. Ersatzteilbenennung. (Denomination)
6. Massangaben bei Bestellung von Meterware.

PEDIDO DE RECAMBIOS

Para evitar errores en las entregas, deberán indicarse los siguientes datos al hacer un pedido de recambios:

1. Tipo de máquina.
2. Número de serie.
3. Cantidad de piezas deseadas. (Quantity)
4. Número de artículo de la pieza de recambio. (Part N^o)
5. Denominación de la pieza. (Denomination)
6. Indíquese la medida al solicitar un artículo que se expide por metros.

ORDERING SPARE PARTS

To avoid errors in delivery, please give the following information when ordering spare parts:

1. Type of machine.
2. Roller serial number.
3. Quantity required.
4. Part number.
5. Parts denomination.
6. Dimensions when ordering per length.

ORDINI DI RICAMBI

Per evitare errori nelle consegne di ricambi, Vi preghiamo di comunicarci le seguenti informazioni al momento dell'ordinazione:

1. Tipo di macchina.
2. Numero di serie della macchina.
3. Quantità dei pezzi desiderati. (Quantity)
4. Numero di codice del pezzo. (Part N^o)
5. Descrizione del pezzo di ricambio. (Denomination)
6. Misura, in caso di ordine per metro.

COMMANDE DE PIÈCES DE RECHANGE

Les indications suivantes doivent être fournies lors de la commande de pièces de rechange, afin d'éviter toute erreur de livraison:

1. Type de machine.
2. Numéro de série.
3. Quantité désirée de pièce de rechange. (Quantity)
4. Numéro de la pièce de rechange. (Part N^o)
5. Dénomination de la pièce de rechange. (Denomination)
6. Longueur en cas de commande au mètre.

YOUR AGENT/DEALER:

PÄRMETIKETT

För att undvika fel vid reservdelsbeställning finns här nedan två etiketter som passar i fickorna på pärmarnas ryggar. På dessa kan man se från vilket vältnummer av aktuell maskin reservdelskatalogen gäller. Gör så här:

1. Tag denna sida ur pärmen.
2. Klipp ut etiketten till **VÄNSTER** (1) och sätt in den i fickan på **DENNA** pärmens rygg.
3. Finns det en etikett till **HÖGER** (2), kan denna användas på pärmen för **FÖREGÅENDE** utgåva av denna katalog.
4. Kasta detta papper.

KATALOG-BESCHRIFTUNG

Zur Vermeidung von Fehlern bei der Ersatzteilbestellung benutzen Sie bitte die unteren Beschriftungen, um die Kataloge auf der Rückseite zu kennzeichnen. Auf der Beschriftung ist angegeben, für welche Maschinennummern der jeweilige Katalog gültig ist. Ablauf:

1. Nehmen Sie dieses Blatt aus dem Katalog.
2. Schneiden Sie die **LINKE** Beschriftung (1) aus. Schieben Sie die Beschriftung in die tasche auf **DEM** Katalogrücke.
3. Sollte die Beschriftung unten **RECHTS** (2) mitgeliefert werden, kennzeichnen Sie damit bitte die **ÄLTERE** Ausführung dieses Kataloges.
4. Den Rest dieses Blattes bitte vernichten.

ETIQUETA PARA LA CARPETA

Para evitar errores al pedir repuestos utilicen las etiquetas abajo descritas para identificar los catálogos en la parte trasera de la carpeta. En la etiqueta se ven los números de referencia de la serie para la cual es válido el catálogo. Instrucciones:

1. Quitar esta página de la carpeta.
2. Corta la etiqueta **IZQUIERDA** (1) y ponerla en **ESTA** carpeta en la parte trasera.
3. Si hay una etiqueta en la parte **DERECHA** (2) se puede utilizar en la carpeta para el catálogo que **PRECEDE** a esta.
4. Tirar esta hoja.

BINDER LABEL

To avoid errors when ordering spare parts use the labels below to identify the catalogues on the back of the binder. The label contain the serial number range for which the catalogue is valid. Do like this:

1. Remove this page from the binder.
2. Cut out the **LEFT** label (1) and put it on **THIS** binders back.
3. If there is a label to the **RIGHT** (2), it can be used on the binder for **PRECEDING** issue of this catalogue.
4. Throw away this paper.

ETICHETTAPOSTASULRACCOGLITORE

Per evitare errori quando ordinate pezzi di ricambio, usate le etichette in calce che servono ad identificare i cataloghi sul retro del raccoglitore. L'etichetta indica il numero di matricola delle macchine prese in considerazione nel catalogo.

1. Rimuovete questa pagina dal raccoglitore.
2. Ritagliate l'etichetta posta a **SINISTRA** (1) e ponetela sul retro **DEL** raccoglitore.
3. Se trovate anche un'etichetta sulla **DESTRA** (2), ritagliatela e ponetela sul raccoglitore relativo alla **PRECEDENTE** edizione del catalogo.
4. Distruggete questo foglio.

ETIQUETAGE DU CATALOGUE

Afin d'éviter des erreurs lors de commandes de pièces de rechange, nous vous conseillons d'apposer les marquages ci-dessous à l'arrière du classeur, pour identifier les catalogues. Ce marquage indique les numéros de série pour lesquels le catalogue est adapté. Il convient de procéder de la façon suivante:

1. Retirez cette page du classeur.
2. Découpez l'étiquette de **GAUCHE** (1), et apposez-la à l'arrière de **CE** catalogue.
3. Si il y a une étiquette à **DROITE** (2), vous pourrez l'apposer sur le classeur de l'édition **PRECEDENTE** du catalogue.
4. Détruire cette feuille.

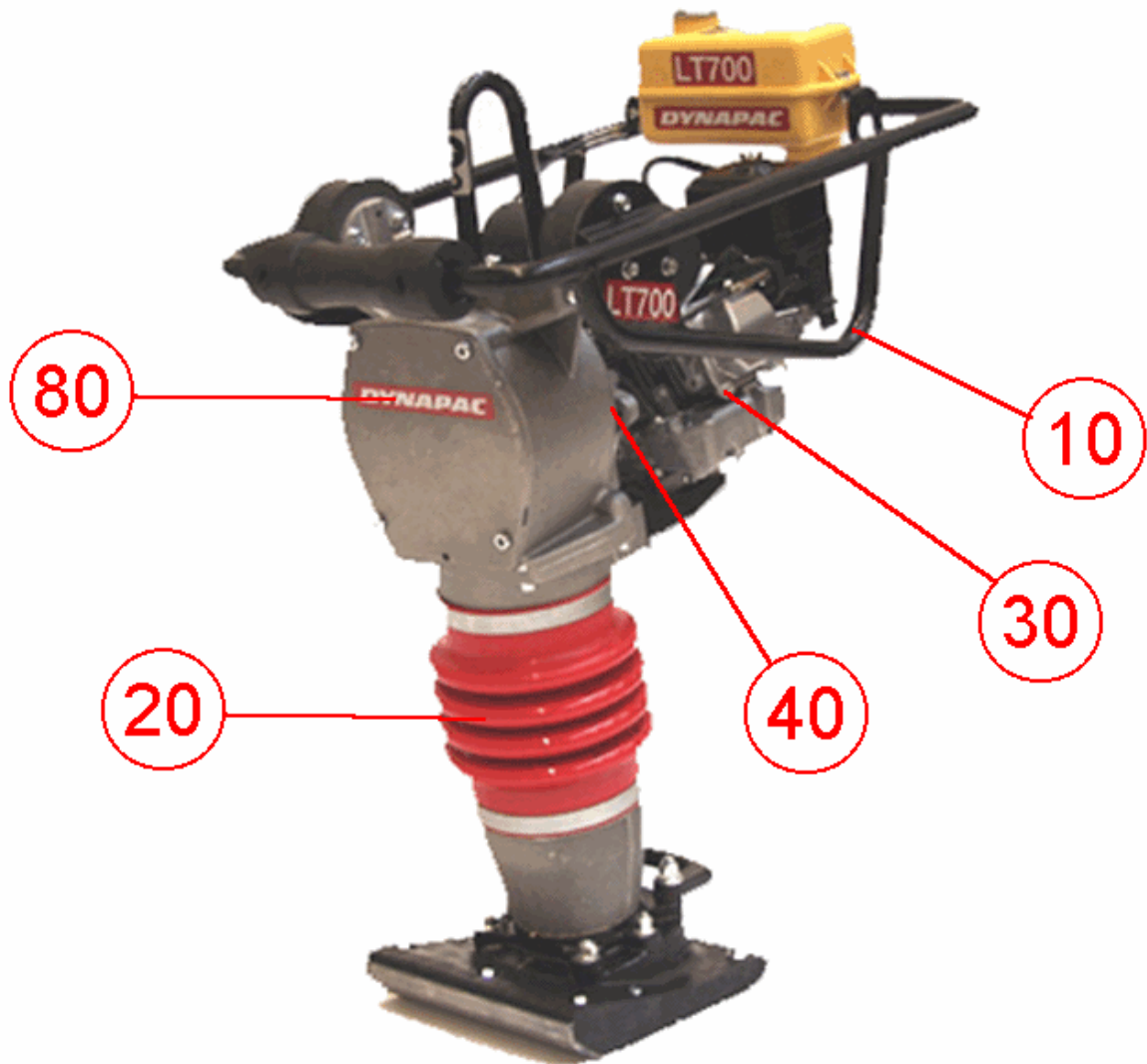
1.



TABLE OF CONTENTS

Page

LT600 From S/N: 76002747	2
Handle	4
Handle	6
Ramming system	8
Transmission	10
Spring unit	12
Foot 9 "	14
Option, extended foot	16
Engine and fuel system	18
Engine Honda GX100	20
Diaphragm carburettor installation for GX100	22
Diaphragm carburettor with primer pump	24
Fuel system, new version New version	26
Engine installation	28
Power transmission	30
Centrifugal clutch	32
Decals and documentation	34
Decals and documentation	36



LT600 From S/N: 76002747

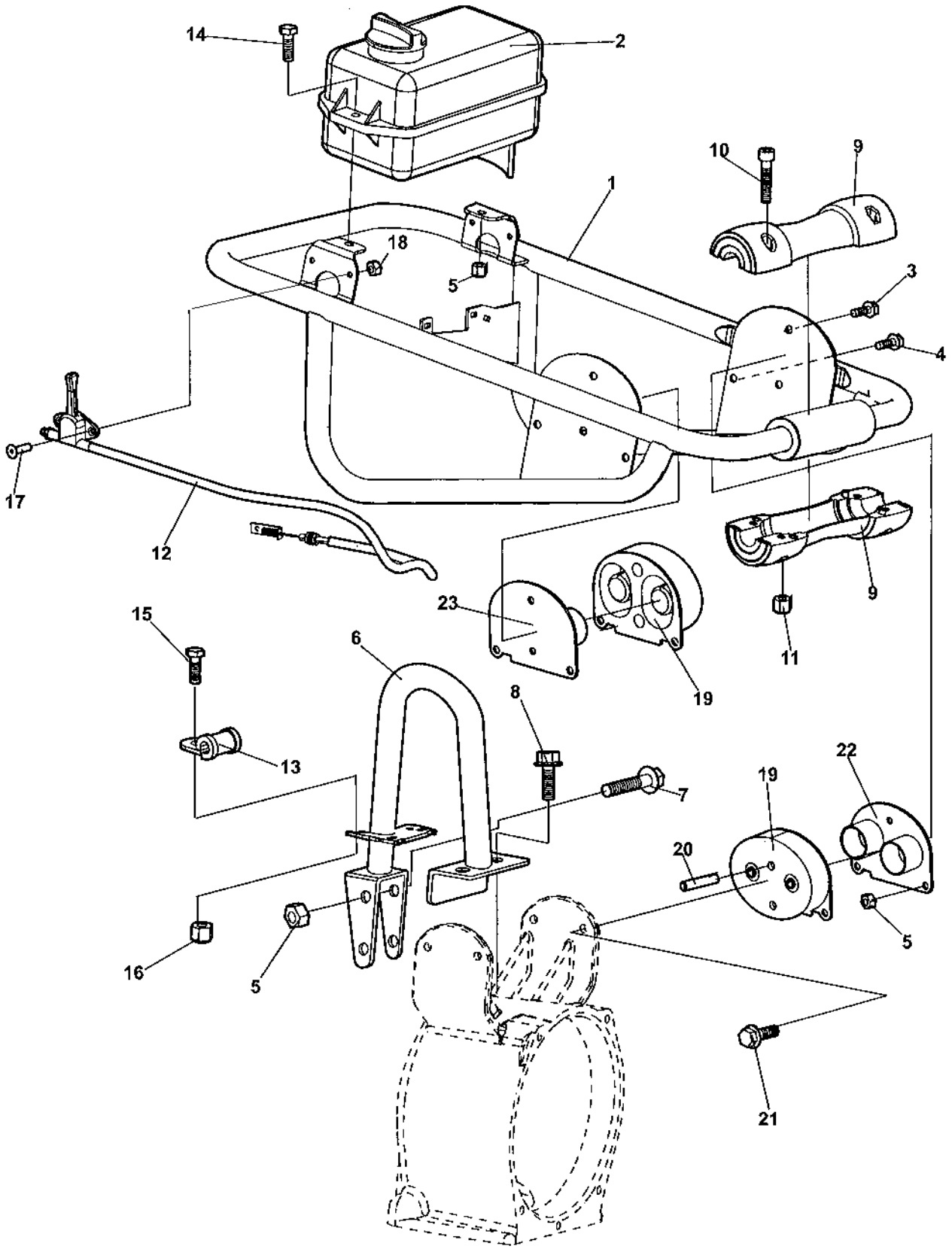
Item	Part No	Rem Qty	Description	Code
10			Handle (Page 4)	
20			Ramming system (Page 8)	
30			Engine and fuel system (Page 18)	
40			Power transmission (Page 30)	
80			Decals and documentation (Page 34)	

Handle

Item	Part No	Rem Qty	Description	Code
10		1	Handle (Page 6)	

Handle

18290



Handle

Item	Part No	Rem	Qty	Description	Code
1	4700378043		1	Handle	
2		A	1	Fuel tank, cpl	
3	4700500505		4	Screw	M8x20 8.8
4	4700902041		4	Screw	
5	4700902286		8	Lock nut	M8
6	4700385439		1	Lifting lug	
7	4700791344		2	Screw	
8	4700791343		2	Screw	
9	4700384496		2	Roller	
10	4700508018		4	Screw	
11	4700586002		4	Lock nut	M6 -8
12	4700385006		2	Throttle control, cpl	
13	4700791388		1	Clamp	
14	4700500506		2	Screw	
15	4700500501		1	Screw	M6x20
16	4700902285		1	Lock nut	M6
17	4700904504		2	Screw	M5 x 18
18	4700902284		2	Nut	M5
19	4700386785		2	Shock absorber	
20	4700791323		4	Cylindric pin	
21	4700500506		4	Screw	
22	4700386786		1	Angle stop	left side
23	4700386787		1	Angle stop	right side
			1		

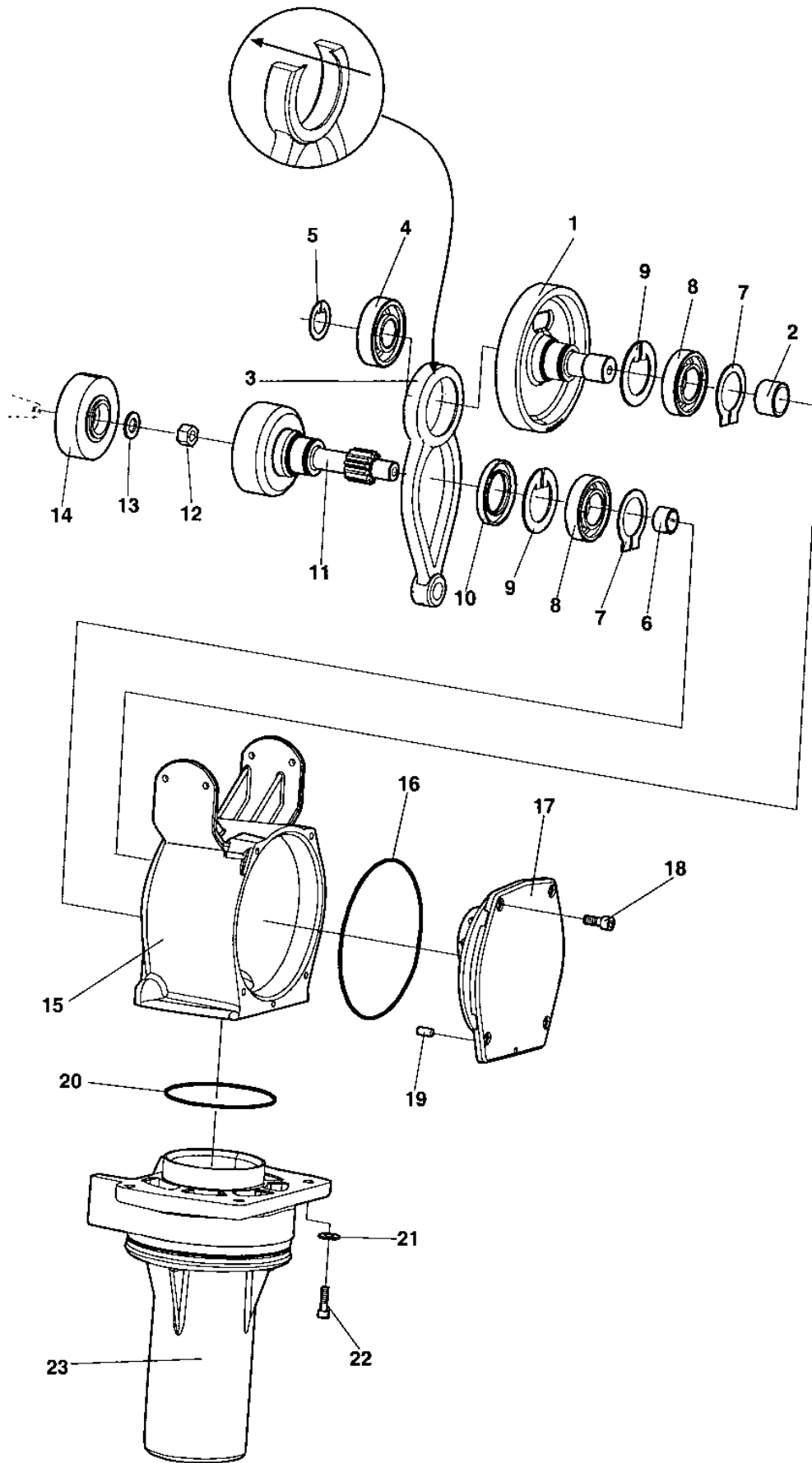
A) See section fuelsystem

Ramming system

Item	Part No	Rem Qty	Description	Code
10			Transmission (Page 10)	
20			Spring unit (Page 12)	
30			Foot 9 " (Page 14)	
50			Option, extended foot (Page 16)	

Transmission

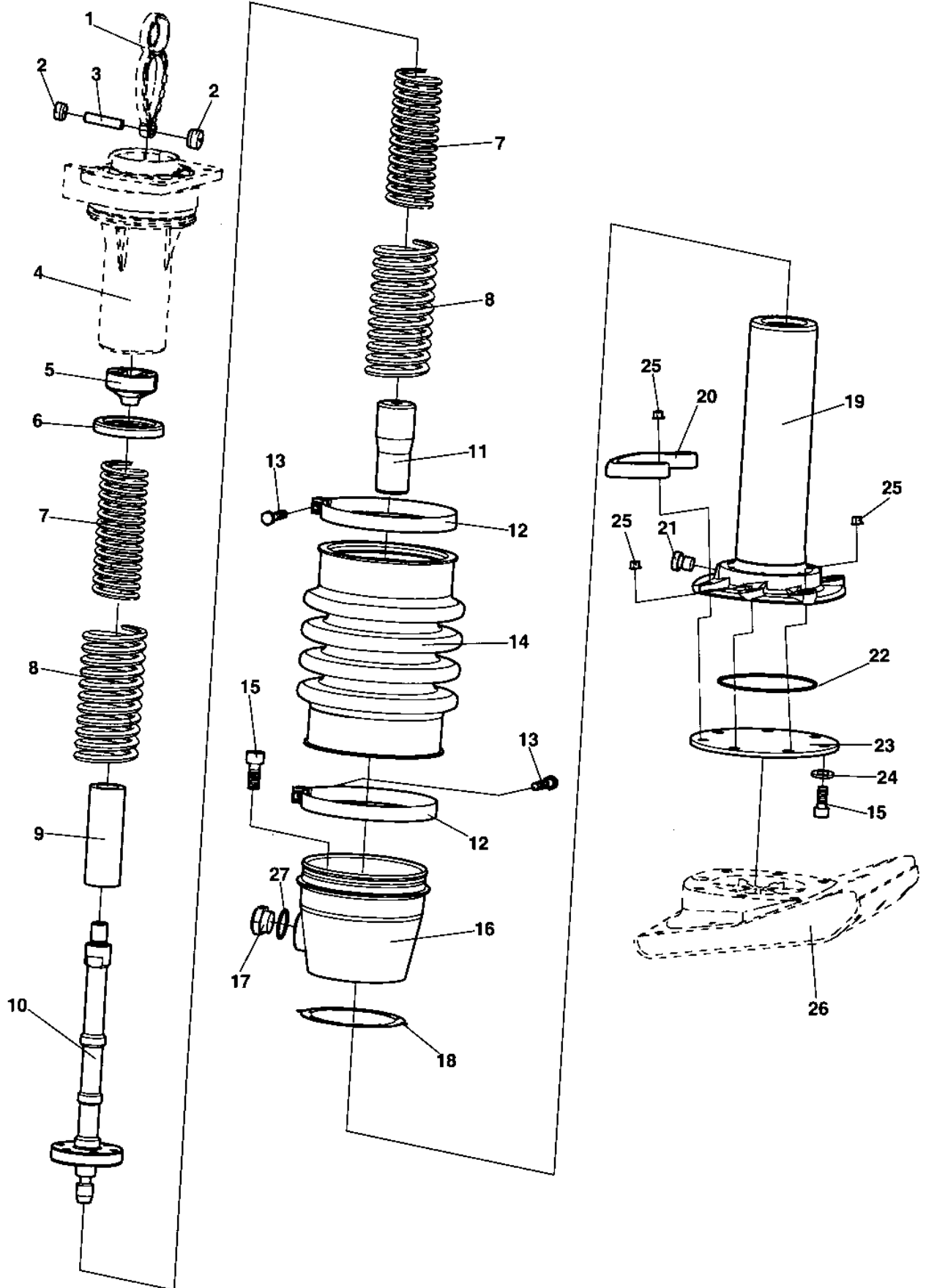
17379-1



Transmission

Item	Part No	Rem	Qty	Description	Code
1	4700380906		1	Gear wheel	
2	4700904950		1	Needle bearing	
3	4700380920		1	Connecting rod	
4	4700111078		1	Ball bearing	
5	4700150009		1	Snap ring	
6	4700904949		1	Needle bearing	
7	4700150014		2	Snap ring	D
8	4700903520		2	Bearing	
9	4700151025		2	Snap ring	
10	4700904952		1	Sealing	
11	4700381477		1	Shaft	
12		A	1	Nut	
13		A	1	Washer	
14		A	1	Clutch	
15	4700388403		1	Crankcase	
16	4700160106		1	O-ring	
17	4700388405		1	Cover	
18	4700508096		4	Screw	
19	4700628006		1	Pin	
20	4700160035		1	O-ring	
21	4700904230		4	Washer	
22	4700508053		4	Screw	
23	4700388407		1	Outer tube	

A) See section power transmission



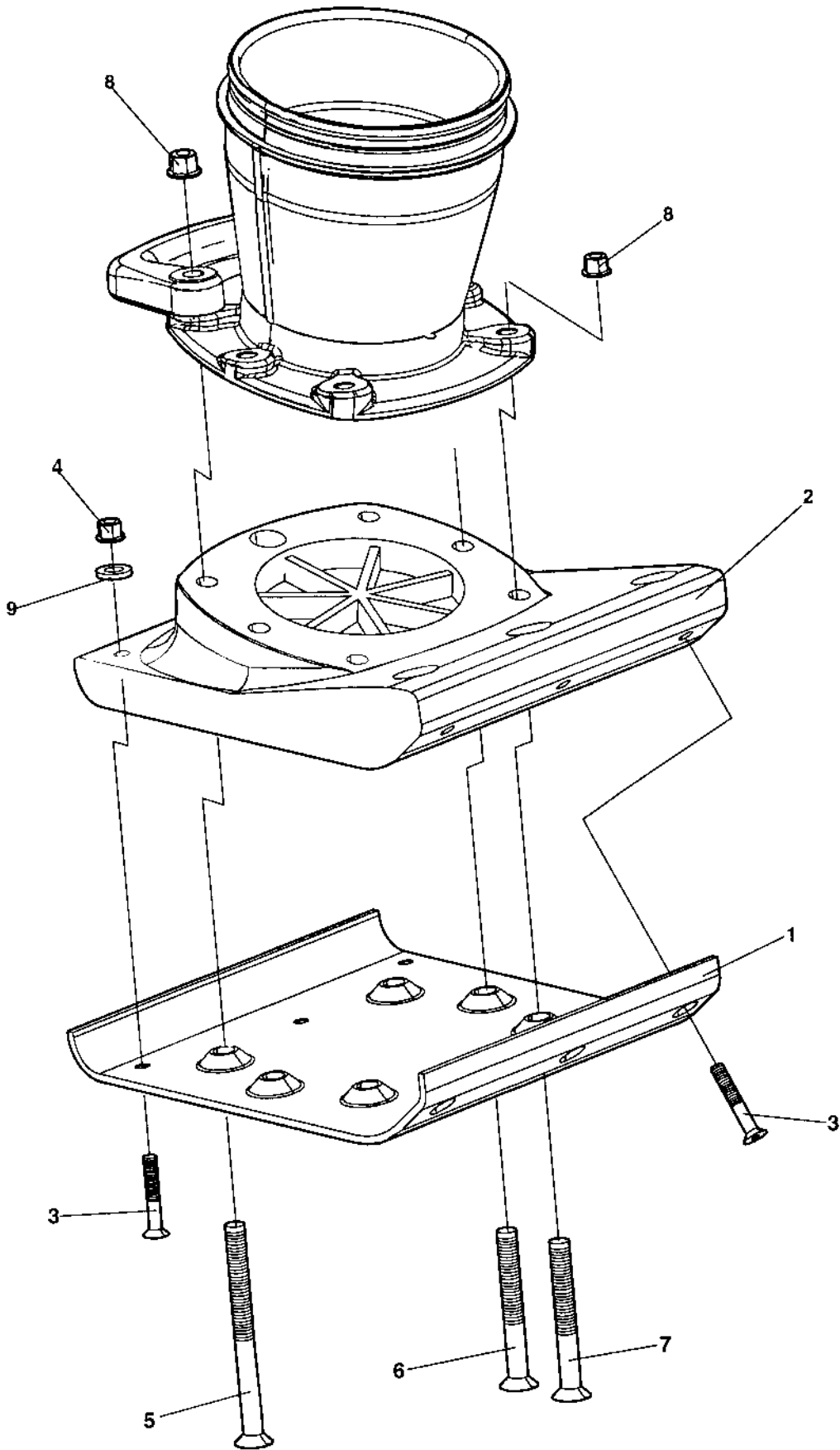
Spring unit

Item	Part No	Rem	Qty	Description	Code
1		A	1	Crank shaft	
2	4700381482		2	Plug	
3	4700381479		1	Piston bolt	
4		B	1	Outer tube	
5	4700381961		1	Rod piston head	
6	4700383681		1	Lid	
7	4700380895		2	Spring	
8	4700380894		2	Spring	
9	4700380899		1	Stop	
10	4700383668		1	Rod piston	
11	4700380902		1	Stop	
12	4700283631		2	Hose clamp	
13	4700500023		2	Screw	M8-1,25x40 8,8
14	4700283627		1	Bellows	
15	4700508092		13	Screw	
16	4700388409		1	Bellows support	
17	4700791395		1	Sight plug	
18	4700383666		1	Gasket	
19	4700383669		1	Inner tube	
20	4700384416		1	Handle	
21	4700904951		1	Plug	
22	4700160054		1	O-ring	
23	4700382369		1	Lid	
24	4700162009		6	Seal ring	D
25		C	6	Nut	D
26		C	1	Foot	D
27	4700791376		1	Fiber washer	

- A) See section transmission. item 3
- B) See section transmission, item 28
- C) See section foot

Foot 9 "

17479

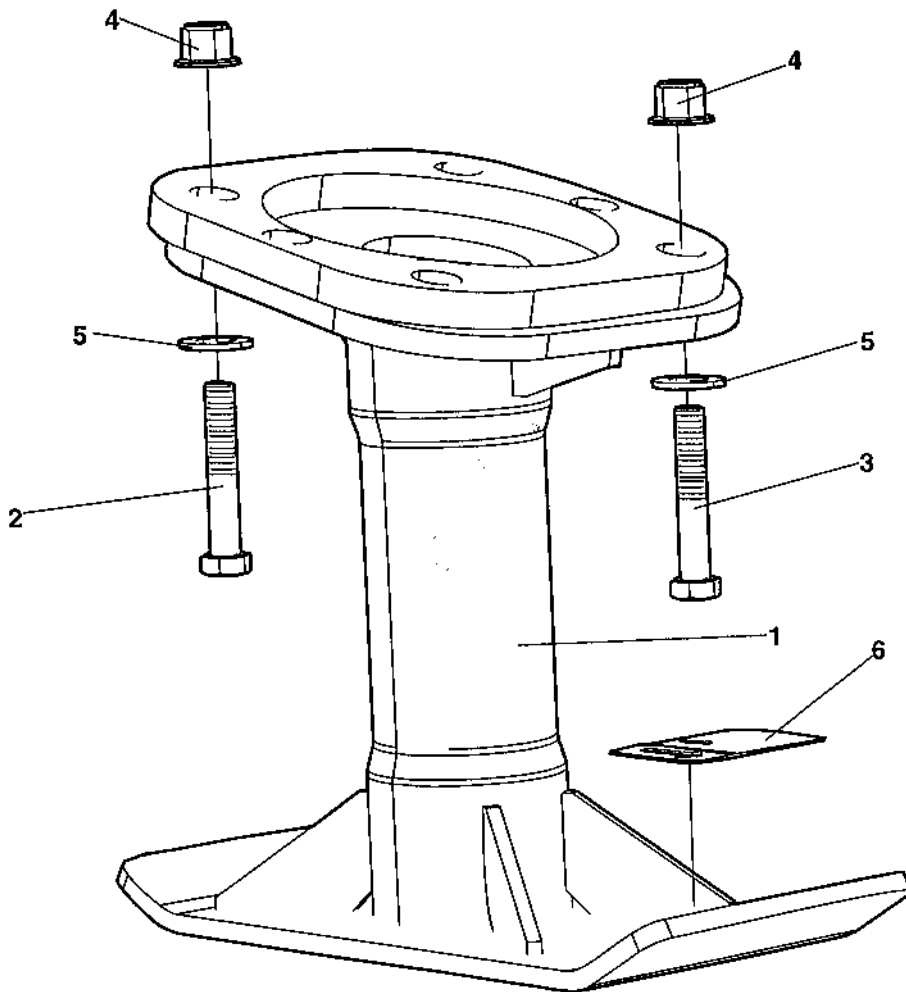


Foot 9 "

Item	Part No	Rem Qty	Description	Code
	4700939182	1	Foot kit, cpl	
1	4700382687	1	.Ground plate	
2	4700382688	A 1	.Foot	
3	4700791331	6	.Screw	
4	4700902286	6	.Lock nut	M8
5	4700791339	2	.Screw	
6	4700791085	2	.Screw	
7	4700791337	2	.Screw	
8	4700902288	6	.Nut	M12
9	4700904640	6	.Washer	8,4x22x3

A) Widht = 9"

Option, extended foot
18069

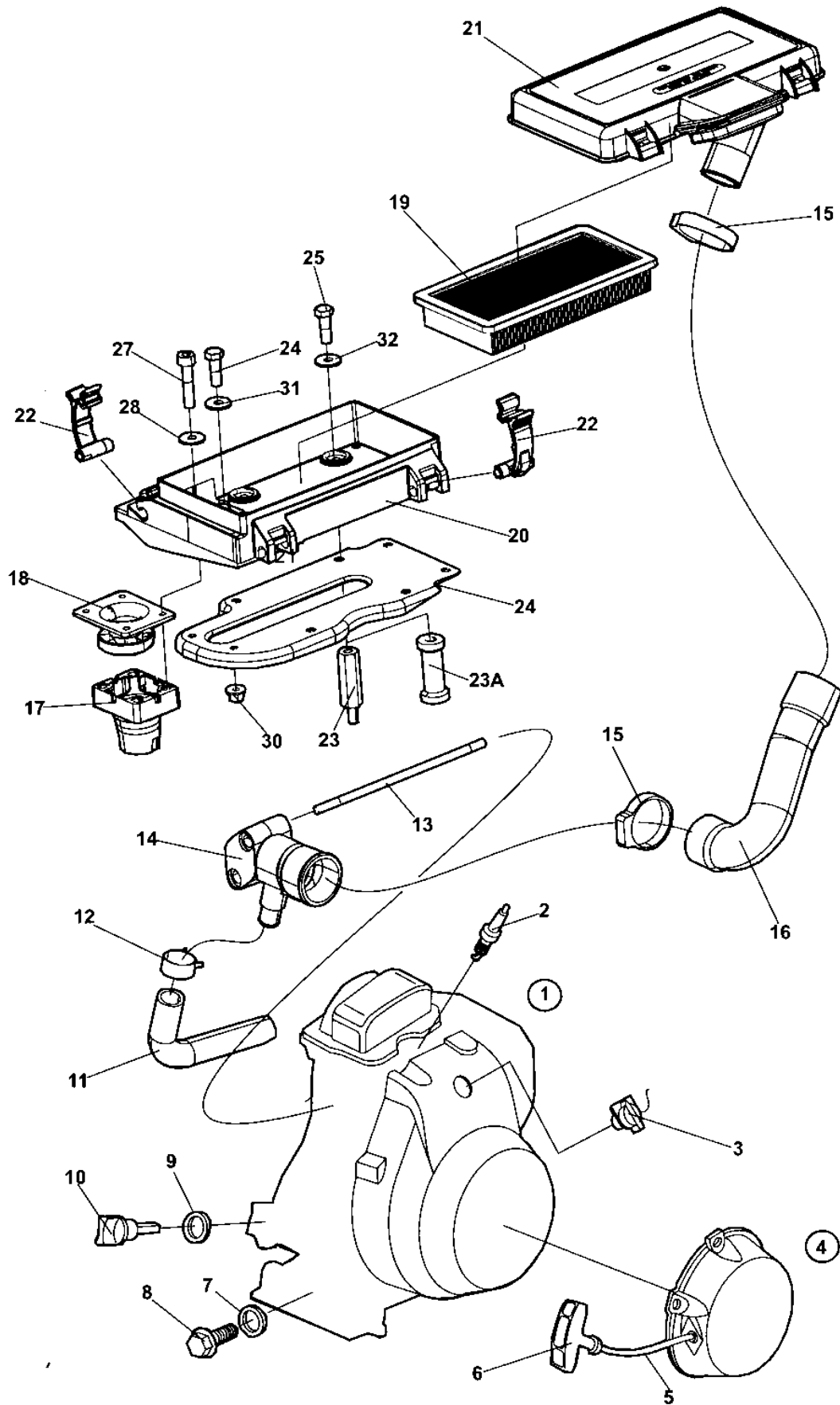


Option, extended foot

Item	Part No	Rem Qty	Description	Code
1	4700389980	1	Extended foot	
2	4700928198	2	Screw	
3	4700903735	4	Screw	
4	4700902280	6	Side ring	
5	4700904231	6	Washer	13x24x2 300 HV
6	4700377125	1	Decal	

Engine and fuel system

Item	Part No	Rem Qty	Description	Code
10			Engine (Page 20)	Honda GX100
14			Diaphragm carburettor installation for GX100 (Page 22)	
15		1	Diaphragm carburettor with primer pump (Page 24)	
20			Fuel system, new version (Page 26)	New version
30			Engine installation (Page 28)	



Engine Honda GX100

Item	Part No	Rem	Qty	Description	Code
1	4700389872	B	1	Engine, cpl	
	4700379011	C	1	Engine, cpl	
2	4700938934		1	.Spark plug	
3	4700938143		1	.Switch	
4	4700938972		1	.Recoil starter, cpl	
5	4700938973		1	..Rope	
6	4700938974		1	..Grip	
7	4700238303		2	.Gasket	D
8	4700238302		2	.Oil plug	D
9	4700938477		1	.Gasket	
10	4700938977		2	.Oil dipstick, cpl	
11	4700379490		1	Hose	D
12	4700792269		1	Hose clamp	D
13	4700945554		2	Stud	
14	4700379333		1	Hose connection	
15	4700792278		2	Hose clamp	
16	4700379489		1	Hose	
17	4700377180		1	Cyclone, housing	
18	4700377179		1	Cyclone	
19	4700377328		1	Air filter	
20	4700376853		1	Air filter housing	
21	4700377184		1	Cover	
22	4700377424		4	Clips	
23	4700378076	D,E	4	Spacer	
23-A	4700393618	F	4	Spacer	
24	4700378032		1	Bracket	
25	4700500501	D	4	Screw	M6x20
	4700500187	F	4	Screw	M6x60
27	4700508023		4	Screw	
28	4700601001		4	Washer	
29	4700500006		2	Screw	M5x16
30	4700902284		2	Nut	M5
31	4700904281		2	Washer	5,3x10x1 300HV
32	4700904228	F	4	Washer	6,4x12x1,5

B) Old version

C) New version, carburettor with primer pump

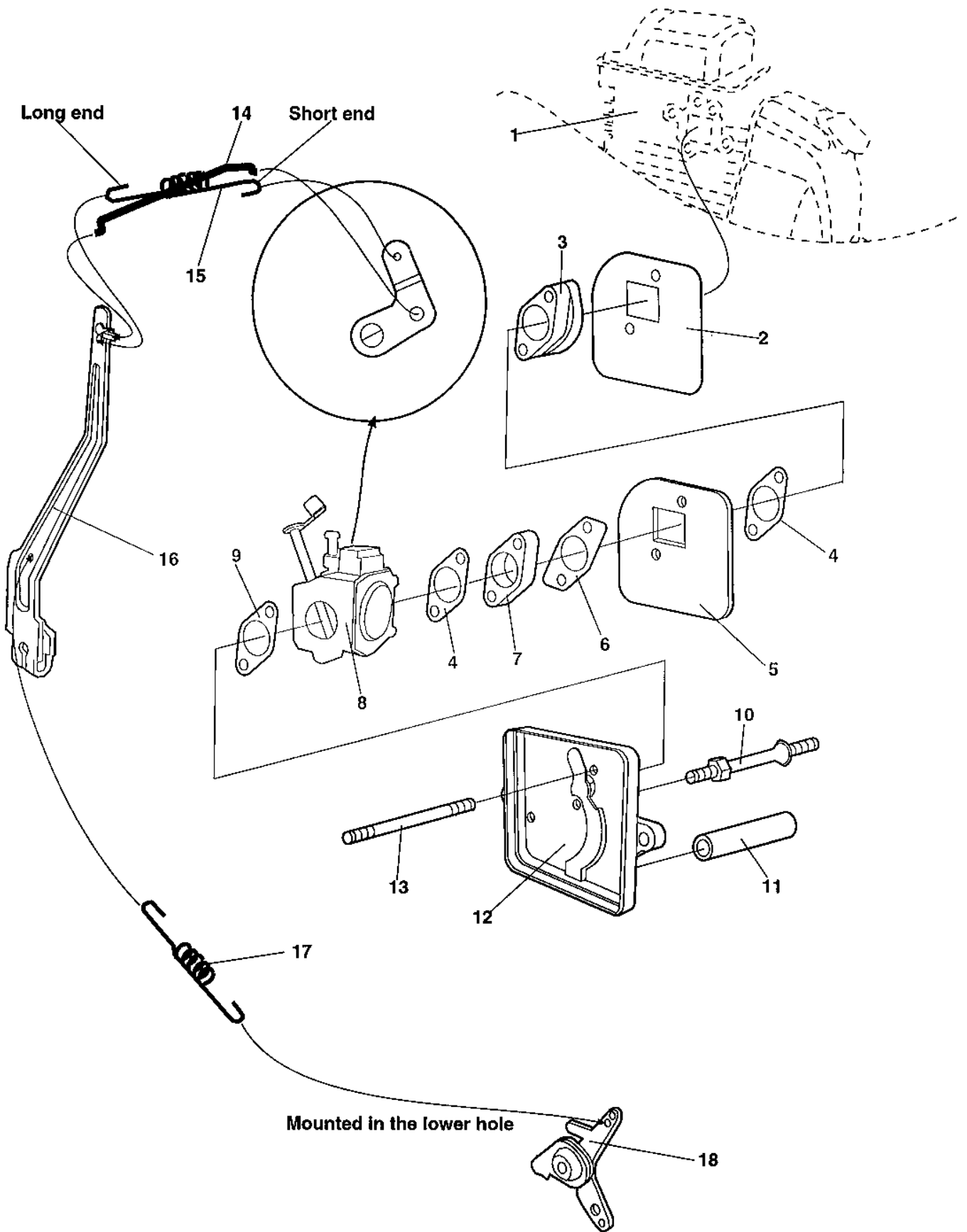
D) Old version

E) To change one old spacer, use kit 4700945803. This kit consist of 1x4700393618, 1x4700904228 and 1x4700500187

F) New version

Diaphragm carburettor installation for GX100

17944

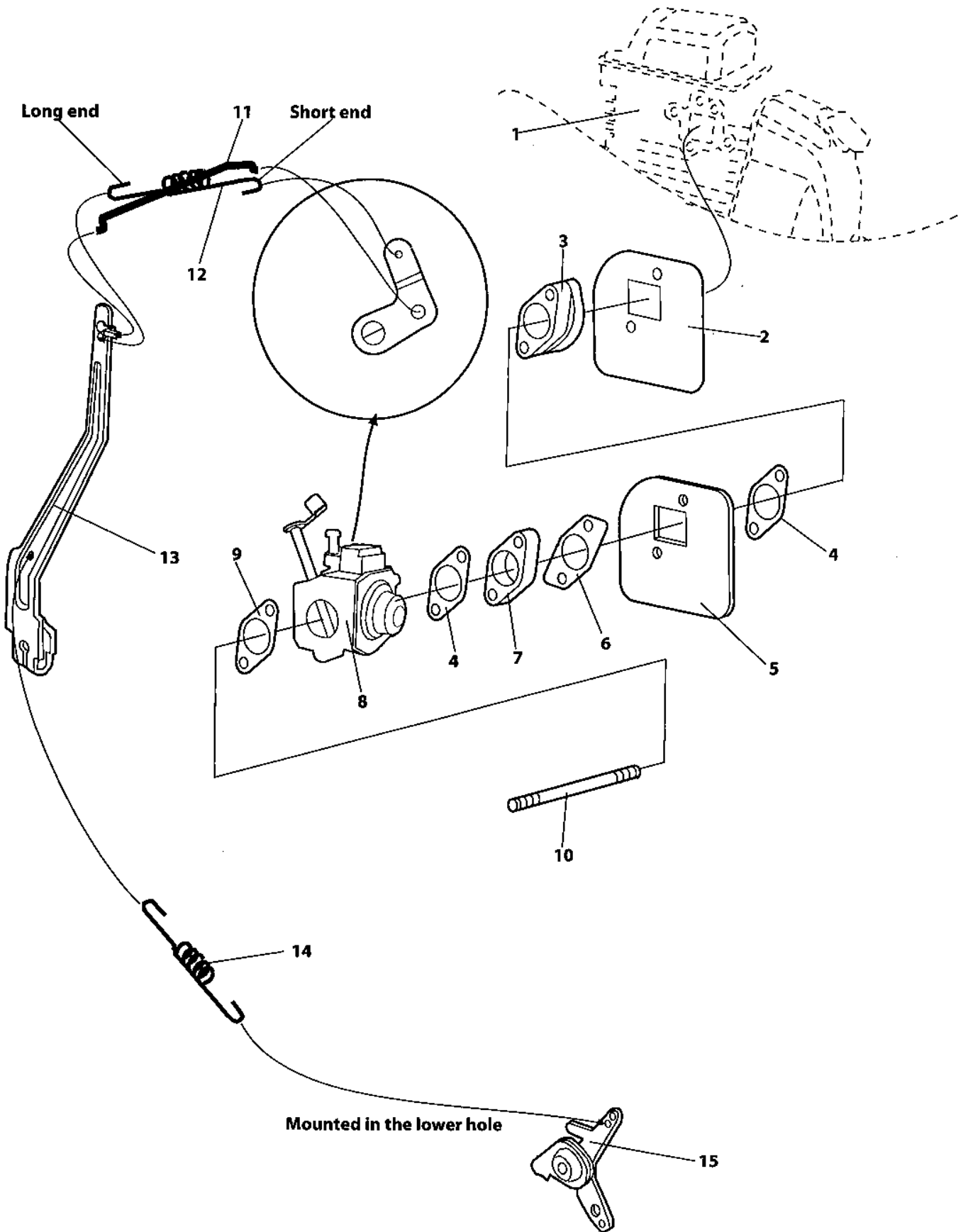


Diaphragm carburettor installation for GX100

Item	Part No	Rem Qty	Description	Code
1		1	Engine	
2	4700939857	1	Gasket	
3	4700939854	1	Spacer	
4	4700939856	2	Gasket	
5	4700939853	1	Plate	
6	4700939844	1	Gasket	
7	4700939855	1	Spacer	
8	4700939842	1	Carburettor	
9	4700939845	1	Gasket	
10	4700939848	1	Stud	
11	4700939843	1	Rubber hose	
12	4700939846	1	Air filter house	
13	4700939847	2	Stud	
14	4700939864	1	Rod	
15	4700939849	1	Spring	
16	4700939851	1	Control arm	
17	4700939850	1	Spring	
18		1	Control	
		1		

Diaphragm carburettor with primer pump

18379



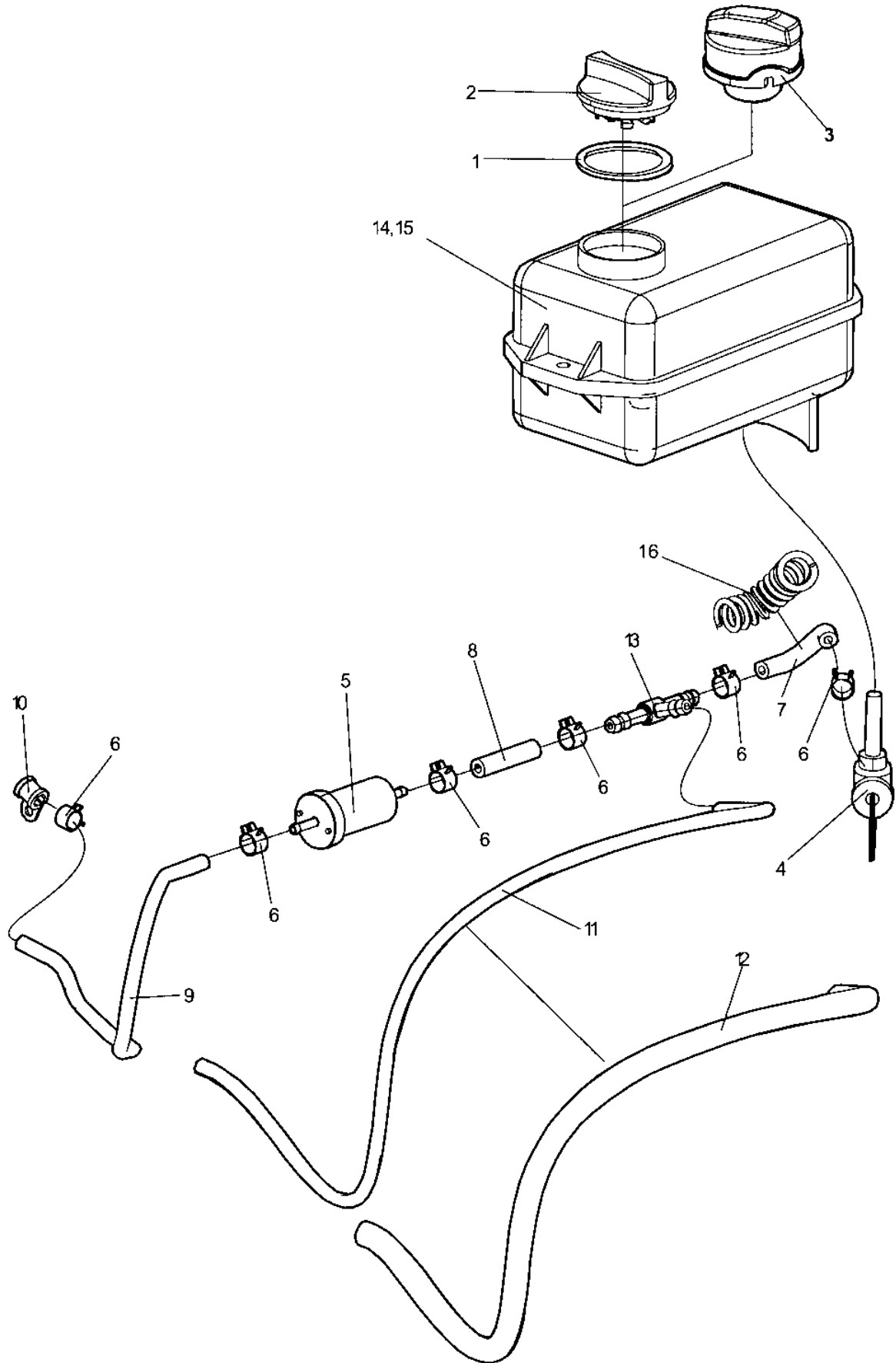
Diaphragm carburettor with primer pump

Item	Part No	Rem	Qty	Description	Code
1			1	Engine	
2	4700939857		1	Gasket	
3	4700939854		1	Spacer	
4	4700939856		2	Gasket	
5	4700939853		1	Plate	
6	4700939844		1	Gasket	
7	4700945540		1	Spacer	
8	4700945499		1	Carburettor	
9	4700939845		1	Gasket	
10		A	1	Stud	
11	4700945539		1	Spring	
12	4700939852		1	Rod	
13	4700939851		2	Control arm	
14	4700939850		1	Spring	
15			1	Control	

A) See section engine

Fuel system, new version New version

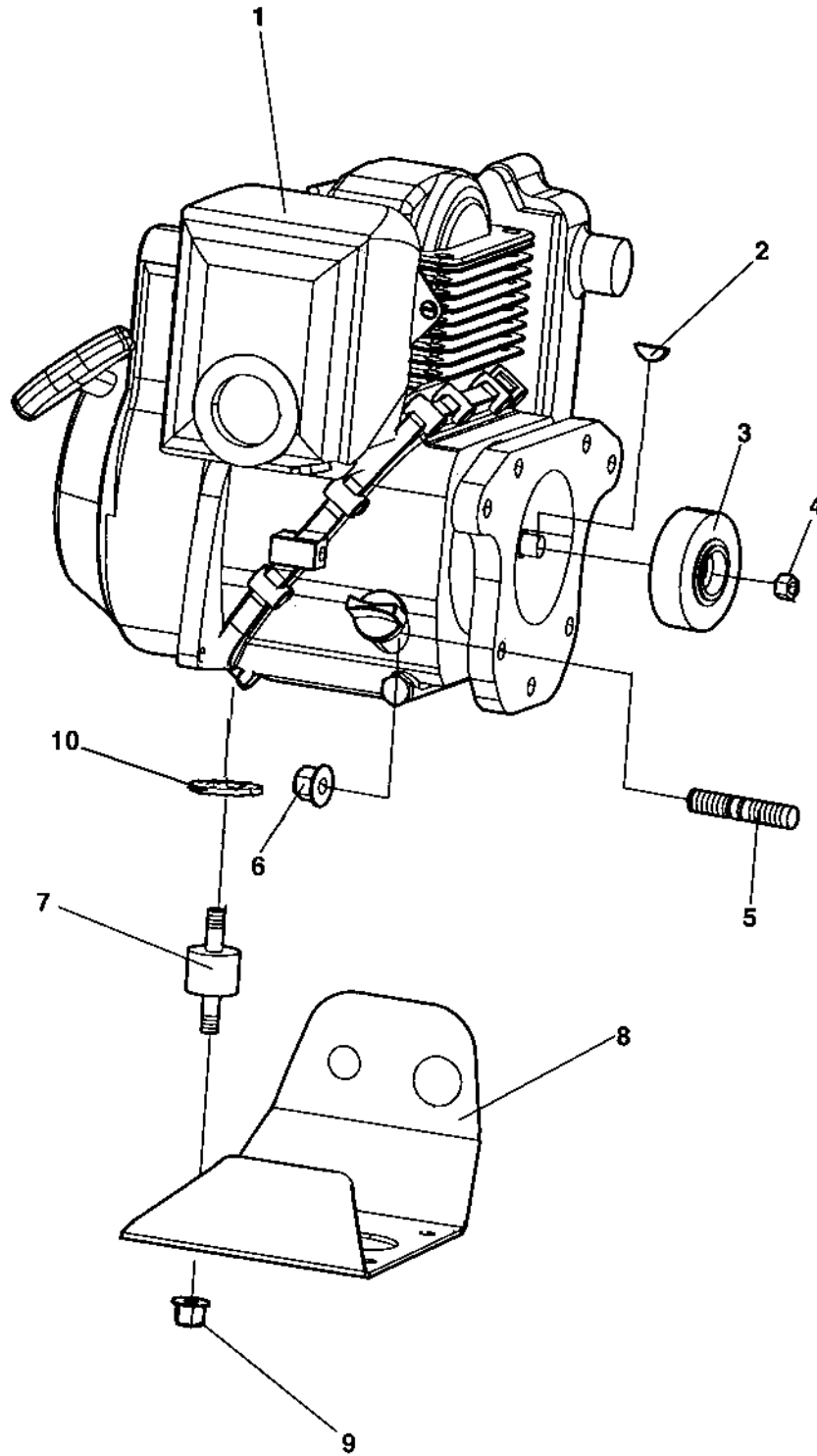
18291-3



Fuel system, new version New version

Item	Part No	Rem	Qty	Description	Code
1			1	Gasket	
2	4700389197	A	1	Filler cap	
3	4700950307	B	1	Filler cap	
4	4700283640		1	Fuel cock	
5	4700945502		1	Fuel filter	A
6	4700791574		6	Hose clamp	
7	4700792613		1XL	Hose	
9	4700792613		1XL	Hose	
10	4700921068		1	Clamp	
11			1XL	Hose From 76003001	
12	4700904212		1XL	Conduit From 76003001	
13	4700945547		1	T-connection From 76003001	
14	4700283634	C	1	Tank	
15	D396065-02	D	1	Tank	
16	4700395884		1	Spring	

- A) Old version, valid for old tank 4700283634 with bayonet joint
- B) New version, valid for new tank D396065-02 with screw-in mount
- C) Old version, replaced by D396065-02
- D) New version, complete with cap



Engine installation

Item	Part No	Rem	Qty	Description	Code
1		A	1	Engine	
2	4700384992		1	Key	
3		B	1	Centrifugal clutch	
4	4700900754		1	Nut	
5	4700384517		4	Stud	
6	4700792412		4	Nut	M10
7	4700791522	C,D	4	Shock absorber Up to 76105567	
	4700792531	E,F	4	Shock absorber From 76105568	
8	4700386655		1	Engine stay	
9	4700902286		4	Lock nut	M8
10	4700603009		4	Washer From 76105568	

A) See section engine

B) See section clutch

C) Old chock absorbers are interchangeable if all four (4) changed at the same time together with new shock absorbers and washers(item 10). Partnumber for new shock absorbers is 4700792531.
Don't mix old new parts.

D) Height = 20 mm, Diameter = 25 mm

E) New version

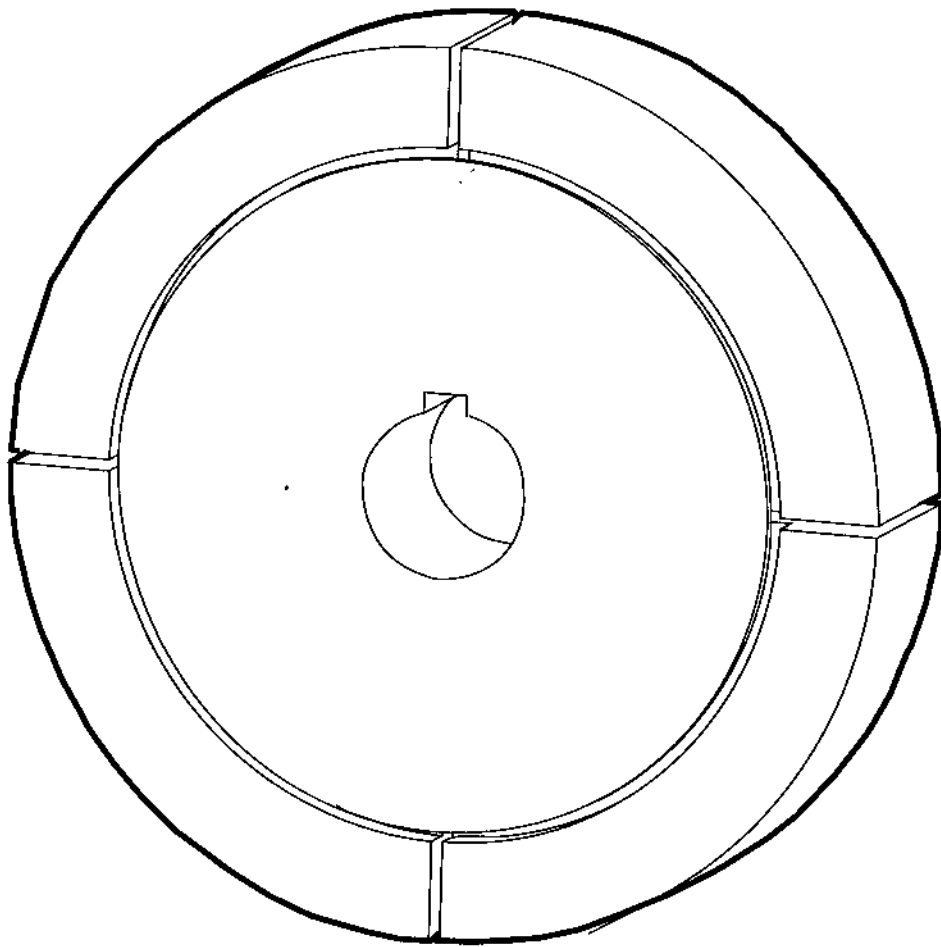
F) Height = 20 mm, Diameter = 30 mm

Power transmission

Item	Part No	Rem Qty	Description	Code
20			Centrifugal clutch (Page 32)	

Centrifugal clutch

18271



Centrifugal clutch

Item	Part No	Rem	Qty	Description	Code
1	4700935696	A	1	Centrifugal clutch, cpl	

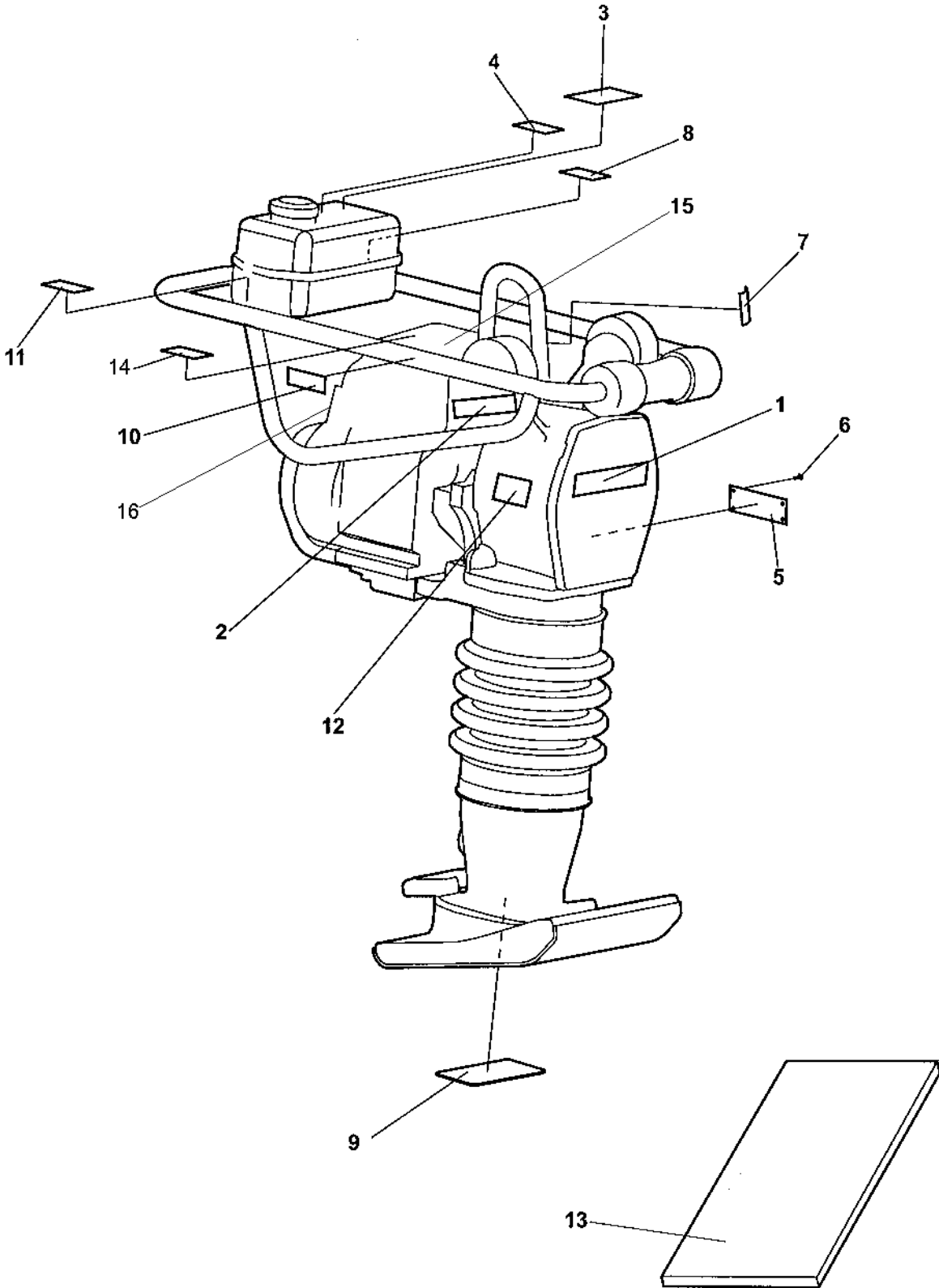
A) Only available like complete unit

Decals and documentation

Item	Part No	Rem Qty	Description	Code
10			Decals and documentation (Page 36)	

Decals and documentation

18293



Decals and documentation

Item	Part No	Rem Qty	Description	Code
1			Not used on this model	
2	4700386333	2	Decal "LT600"	
3	4700386224	1	Decal	
	4700791351	4	Drive screw	
4		1	Not used on this model	
5	47281270SE	1	Product identification plate CE	
6	4700527002	4	Drive screw	
7	4700281269	2	Decal "LIFT"	
8		1	Not used on this model	
9	4700791088	1	Decal	
10	4700904366	2	Safety decal "Hot surface"	
11	4700385878	1	Decal	
12	4700791292	1	Decal "Sound power level"	104dB
13		1	Documentation	
		1	.Instruction book, Honda	Honda GX 100
		1	.Operation	ILT600
		1	.Spare parts catalogue	SLT600
		1	.Warranty registration certificate	
		1	.CE declaration	
14	4700377862	1	Decal "Choke"	
16	4700379535	1	Instruction decal	

NUMERICAL INDEX

Part Number	Page	Part Number	Page	Part Number	Page
4700111078	11	4700388405	11	4700904950	11
4700150009	11	4700388407	11	4700904951	13
4700150014	11	4700388409	13	4700904952	11
4700151025	11	4700389197	27	4700921068	27
4700160035	11	4700389872	21	4700928198	17
4700160054	13	4700389980	17	4700935696	33
4700160106	11	4700393618	21	4700938143	21
4700162009	13	4700395884	27	4700938477	21
4700238302	21	4700500006	21	4700938934	21
4700238303	21	4700500023	13	4700938972	21
4700281269	37	4700500187	21	4700938973	21
4700283627	13	4700500501	7,21	4700938974	21
4700283631	13	4700500505	7	4700938977	21
4700283634	27	4700500506	7	4700939182	15
4700283640	27	4700508018	7	4700939842	23
4700376853	21	4700508023	21	4700939843	23
4700377125	17	4700508053	11	4700939844	23,25
4700377179	21	4700508092	13	4700939845	23,25
4700377180	21	4700508096	11	4700939846	23
4700377184	21	4700527002	37	4700939847	23
4700377328	21	4700586002	7	4700939848	23
4700377424	21	4700601001	21	4700939849	23
4700377862	37	4700603009	29	4700939850	23,25
4700378032	21	4700628006	11	4700939851	23,25
4700378043	7	4700791085	15	4700939852	25
4700378076	21	4700791088	37	4700939853	23,25
4700379011	21	4700791292	37	4700939854	23,25
4700379333	21	4700791323	7	4700939855	23
4700379489	21	4700791331	15	4700939856	23,25
4700379490	21	4700791337	15	4700939857	23,25
4700379535	37	4700791339	15	4700939864	23
4700380894	13	4700791343	7	4700945499	25
4700380895	13	4700791344	7	4700945502	27
4700380899	13	4700791351	37	4700945539	25
4700380902	13	4700791376	13	4700945540	25
4700380906	11	4700791388	7	4700945547	27
4700380920	11	4700791395	13	4700945554	21
4700381477	11	4700791522	29	4700950307	27
4700381479	13	4700791574	27	47281270SE	37
4700381482	13	4700792269	21	D396065-02	27
4700381961	13	4700792278	21		
4700382369	13	4700792412	29		
4700382687	15	4700792531	29		
4700382688	15	4700792613	27		
4700383666	13	4700900754	29		
4700383668	13	4700902041	7		
4700383669	13	4700902280	17		
4700383681	13	4700902284	7,21		
4700384416	13	4700902285	7		
4700384496	7	4700902286	7,15,29		
4700384517	29	4700902288	15		
4700384992	29	4700903520	11		
4700385006	7	4700903735	17		
4700385439	7	4700904212	27		
4700385878	37	4700904228	21		
4700386224	37	4700904230	11		
4700386333	37	4700904231	17		
4700386655	29	4700904281	21		
4700386785	7	4700904366	37		
4700386786	7	4700904504	7		
4700386787	7	4700904640	15		
4700388403	11	4700904949	11		

