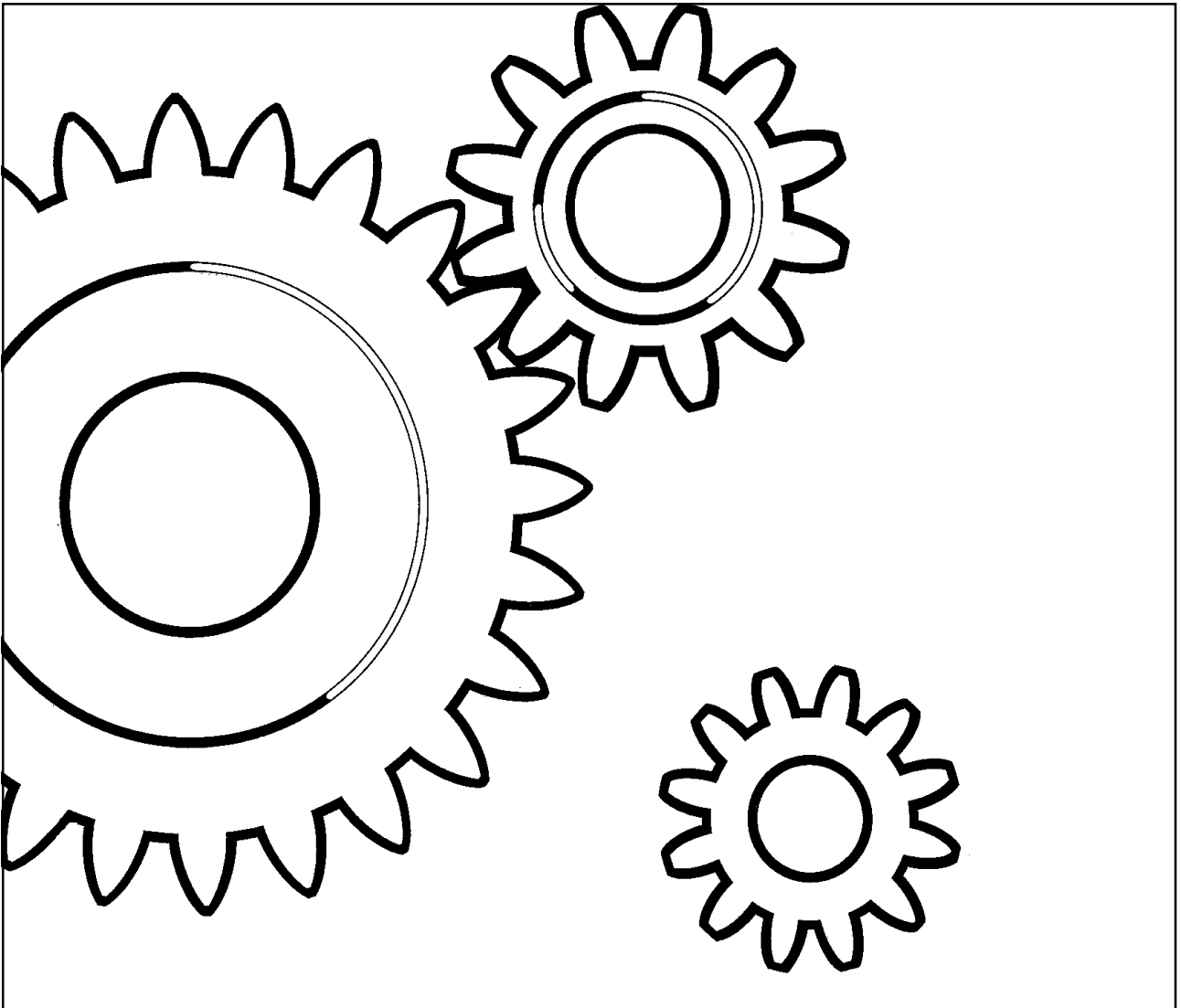


DYNAPAC LT700

SPARE PARTS CATALOGUE SLT700-2EN2



DYNAPAC

Part of the Atlas Copco Group

Atlas Copco Construction Tools AB

SE-105 23 Stockholm, Sweden

Rammer LT700 Spare Parts Catalogue

SLT700-2EN2

Valid from serial number:

77004302-

Engines:

Honda GX120

<i>SLT600-1EN1</i>	<i>2002 - 01</i>	<i>Replaced by SLT600-1EN2</i>
<i>SLT600-1EN2</i>	<i>2004 - 02</i>	<i>Replaced by SLT600-1EN3</i>
<i>SLT600-1EN3</i>	<i>2005 - 07</i>	<i>Replaced by SLT700-2EN1</i>
<i>SLT700-2EN1</i>	<i>2006 - 01</i>	<i>Replaced by SLT700-2EN2</i>
<i>SLT700-2EN2</i>	<i>2009 - 04</i>	



RESERVDELSBESTÄLLNING

Följande uppgifter ska lämnas vid beställning av reservdelar för att undvika leveransfel:

1. Maskintyp.
2. Vältens serienummer.
3. Antal av önskad reservdel.
4. Reserdelens artikelnummer.
5. Reservdelens benämning.
6. Måttuppgifter vid beställning av metervara.

ERSATZTEILBESTELLUNG

Zur Vermeidung von Fehllieferungen sind bei der Bestellung von Ersatzteilen folgende Angaben zu machen:

1. Maschinentyp.
2. Herstellungsnummer.
3. Bestellmenge. (Quantity)
4. Ersatzteilnummer. (Part N^o)
5. Ersatzteilbenennung. (Denomination)
6. Massangaben bei Bestellung von Meterware.

PEDIDO DE RECAMBIOS

Para evitar errores en las entregas, deberán indicarse los siguientes datos al hacer un pedido de recambios:

1. Tipo de máquina.
2. Número de serie.
3. Cantidad de piezas deseadas. (Quantity)
4. Número de artículo de la pieza de recambio. (Part N^o)
5. Denominación de la pieza. (Denomination)
6. Indíquese la medida al solicitar un artículo que se expide por metros.

ORDERING SPARE PARTS

To avoid errors in delivery, please give the following information when ordering spare parts:

1. Type of machine.
2. Roller serial number.
3. Quantity required.
4. Part number.
5. Parts denomination.
6. Dimensions when ordering per length.

ORDINI DI RICAMBI

Per evitare errori nelle consegne di ricambi, Vi preghiamo di comunicarci le seguenti informazioni al momento dell'ordinazione:

1. Tipo di macchina.
2. Numero di serie della macchina.
3. Quantità dei pezzi desiderati. (Quantity)
4. Numero di codice del pezzo. (Part N^o)
5. Descrizione del pezzo di ricambio. (Denomination)
6. Misura, in caso di ordine per metro.

COMMANDE DE PIÈCES DE RECHANGE

Les indications suivantes doivent être fournies lors de la commande de pièces de rechange, afin d'éviter toute erreur de livraison:

1. Type de machine.
2. Numéro de série.
3. Quantité désirée de pièce de rechange. (Quantity)
4. Numéro de la pièce de rechange. (Part N^o)
5. Dénomination de la pièce de rechange. (Denomination)
6. Longueur en cas de commande au mètre.

YOUR AGENT/DEALER:

PÄRMETIKETT

För att undvika fel vid reservdelsbeställning finns här nedan två etiketter som passar i fickorna på pärmarnas ryggar. På dessa kan man se från vilket vältnummer av aktuell maskin reservdelskatalogen gäller. Gör så här:

1. Tag denna sida ur pärmen.
2. Klipp ut etiketten till **VÄNSTER** (1) och sätt in den i fickan på **DENNA** pärmens rygg.
3. Finns det en etikett till **HÖGER** (2), kan denna användas på pärmen för **FÖREGÅENDE** utgåva av denna katalog.
4. Kasta detta papper.

KATALOG-BESCHRIFTUNG

Zur Vermeidung von Fehlern bei der Ersatzteilbestellung benutzen Sie bitte die unteren Beschriftungen, um die Kataloge auf der Rückseite zu kennzeichnen. Auf der Beschriftung ist angegeben, für welche Maschinennummern der jeweilige Katalog gültig ist. Ablauf:

1. Nehmen Sie dieses Blatt aus dem Katalog.
2. Schneiden Sie die **LINKE** Beschriftung (1) aus. Schieben Sie die Beschriftung in die tasche auf **DEM** Katalogrücke.
3. Sollte die Beschriftung unten **RECHTS** (2) mitgeliefert werden, kennzeichnen Sie damit bitte die **ÄLTERE** Ausführung dieses Kataloges.
4. Den Rest dieses Blattes bitte vernichten.

ETIQUETA PARA LA CARPETA

Para evitar errores al pedir repuestos utilicen las etiquetas abajo descritas para identificar los catálogos en la parte trasera de la carpeta. En la etiqueta se ven los números de referencia de la serie para la cual es válido el catálogo. Instrucciones:

1. Quitar esta página de la carpeta.
2. Corta la etiqueta **IZQUIERDA** (1) y ponerla en **ESTA** carpeta en la parte trasera.
3. Si hay una etiqueta en la parte **DERECHA** (2) se puede utilizar en la carpeta para el catálogo que **PRECEDE** a esta.
4. Tirar esta hoja.

BINDER LABEL

To avoid errors when ordering spare parts use the labels below to identify the catalogues on the back of the binder. The label contain the serial number range for which the catalogue is valid. Do like this:

1. Remove this page from the binder.
2. Cut out the **LEFT** label (1) and put it on **THIS** binders back.
3. If there is a label to the **RIGHT** (2), it can be used on the binder for **PRECEDING** issue of this catalogue.
4. Throw away this paper.

ETICHETTAPOSTASULRACCOGLITORE

Per evitare errori quando ordinate pezzi di ricambio, usate le etichette in calce che servono ad identificare i cataloghi sul retro del raccoglitore. L'etichetta indica il numero di matricola delle macchine prese in considerazione nel catalogo.

1. Rimuovete questa pagina dal raccoglitore.
2. Ritagliate l'etichetta posta a **SINISTRA** (1) e ponetela sul retro **DEL** raccoglitore.
3. Se trovate anche un'etichetta sulla **DESTRA** (2), ritagliatela e ponetela sul raccoglitore relativo alla **PRECEDENTE** edizione del catalogo.
4. Distruggete questo foglio.

ETIQUETAGE DU CATALOGUE

Afin d'éviter des erreurs lors de commandes de pièces de rechange, nous vous conseillons d'apposer les marquages ci-dessous à l'arrière du classeur, pour identifier les catalogues. Ce marquage indique les numéros de série pour lesquels le catalogue est adapté. Il convient de procéder de la façon suivante:

1. Retirez cette page du classeur.
2. Découpez l'étiquette de **GAUCHE** (1), et apposez-la à l'arrière de **CE** catalogue.
3. Si il y a une étiquette à **DROITE** (2), vous pourrez l'apposer sur le classeur de l'édition **PRECEDENTE** du catalogue.
4. Détruire cette feuille.

1.

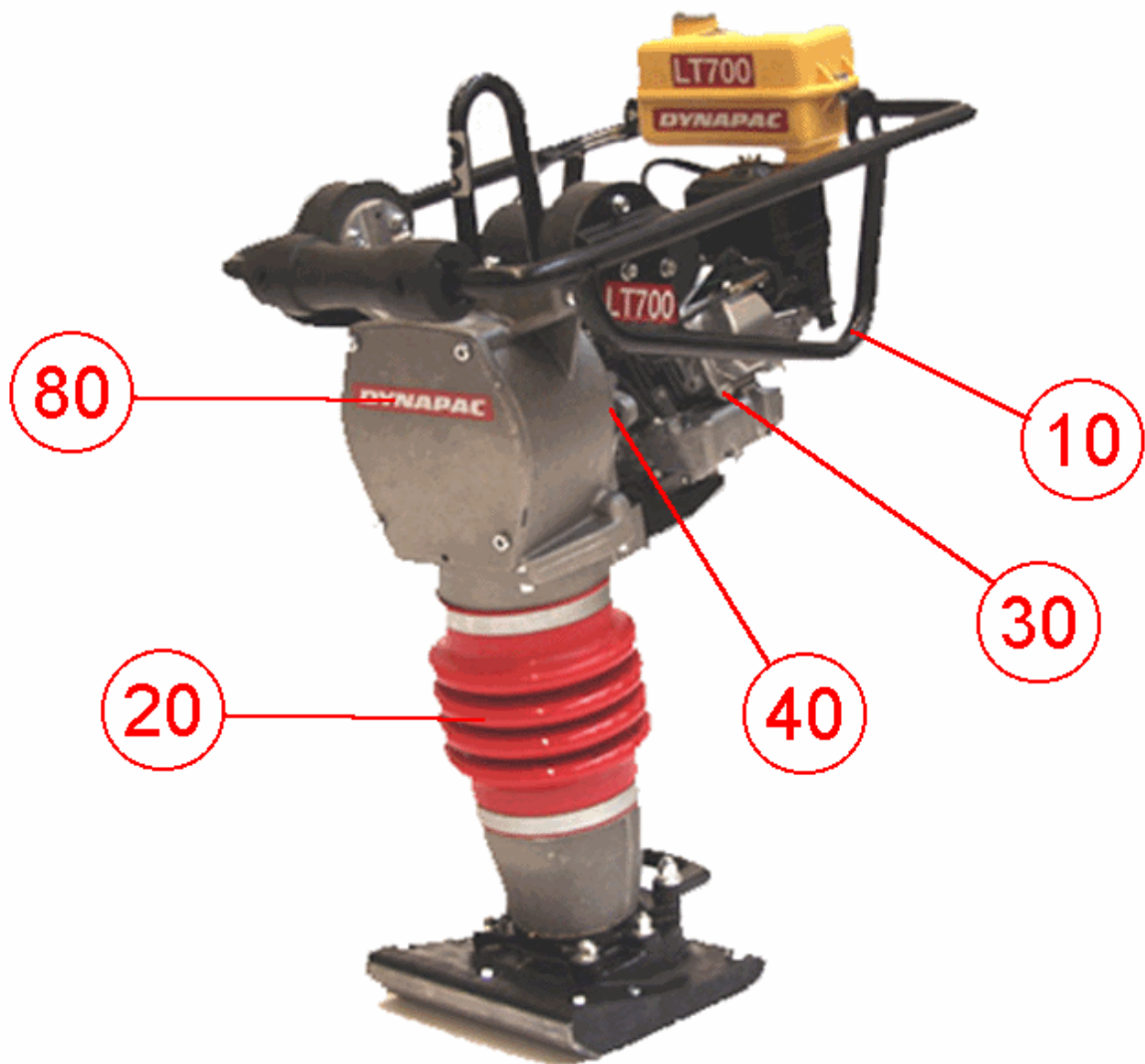


TABLE OF CONTENTS

Page

LT700	2
Handle	4
Handle	6
Ramming system	8
Transmission	10
Spring unit	12
Foot 11"	14
Option, extended foot	16
Engine and fuel system	18
Engine Honda GX120K1	20
Fuel system Up to S/N: 77003319	22
Fuel system From S/N: 77003320	24
Power transmission	26
Engine installation	28
Centrifugal clutch	30
Decals and documentation	32
Decals and documentation	34

LT700
LT700TP



LT700

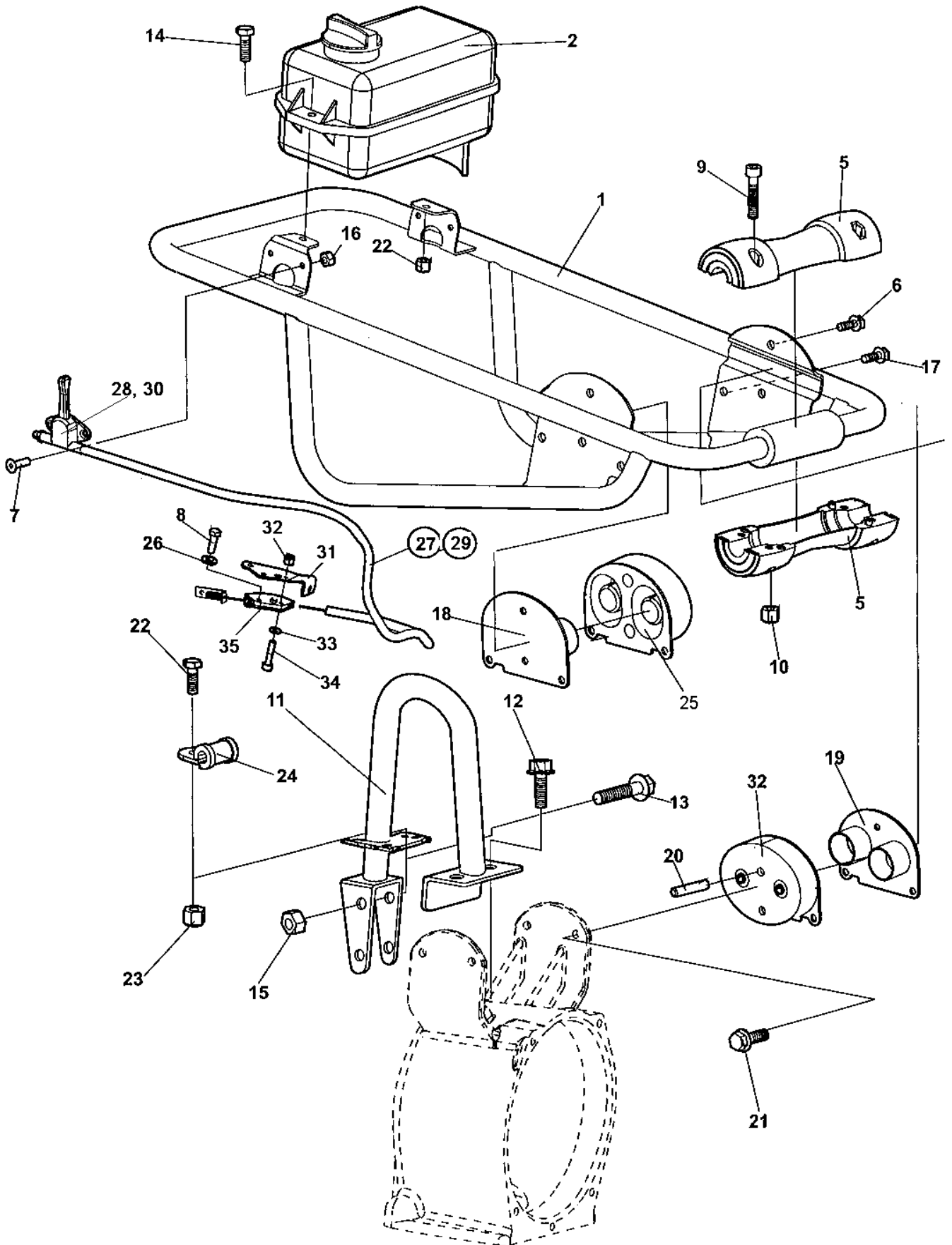
Item	Part No	Rem Qty	Description	Code
10			Handle (Page 4)	
20			Ramming system (Page 8)	
30			Engine and fuel system (Page 18)	
40			Power transmission (Page 26)	
80			Decals and documentation (Page 32)	

Handle

Item	Part No	Rem Qty	Description	Code
10			Handle (Page 6)	

Handle

18294



Handle

Item	Part No	Rem	Qty	Description	Code
1	4700386119		1	Handle	
2		A	1	Fuel tank, cpl	
5	4700384496		2	Roller	
6	4700500506		4	Screw	
7	4700904504		2	Screw	M5 x 18
8	4700500006		1	Screw	M5x16
9	4700508018		4	Screw	
10	4700586002		4	Lock nut	M6 -8
11	4700385439		1	Lifting lug	
12	4700791343		2	Screw	
13	4700791344		2	Screw	
14	4700500506		2	Screw	
15	4700902286		8	Lock nut	M8
16	4700902284		2	Nut	M5
17	4700902041		4	Screw	
18	4700386787		1	Angle stop	right side
19	4700386786		1	Angle stop	left side
20	4700791323		4	Cylindric pin	
21	4700500506		4	Screw	
22	4700500501		1	Screw	M6x20
23	4700902285		1	Lock nut	M6
24	4700791388		1	Clamp	
25	4700386785		2	Shock absorber	
26	4700904281		1	Washer	5,3x10x1 300HV
27	4700383677	B	1	Throttle control, cpl Up to 77004301	
28	4700939108		1	.Handle	
29	4700390087		1	Throttle control, cpl From 77004302	
30	4700939108		1	.Handle	
31	4700390089		1	.Bracket	
32	4700923976		1	.Nut	
33	4700904698		1	.Washer	
34	4700903386		1	.Screw	
35			1	.Not Sold Separately	

A) See section fuel sysytem

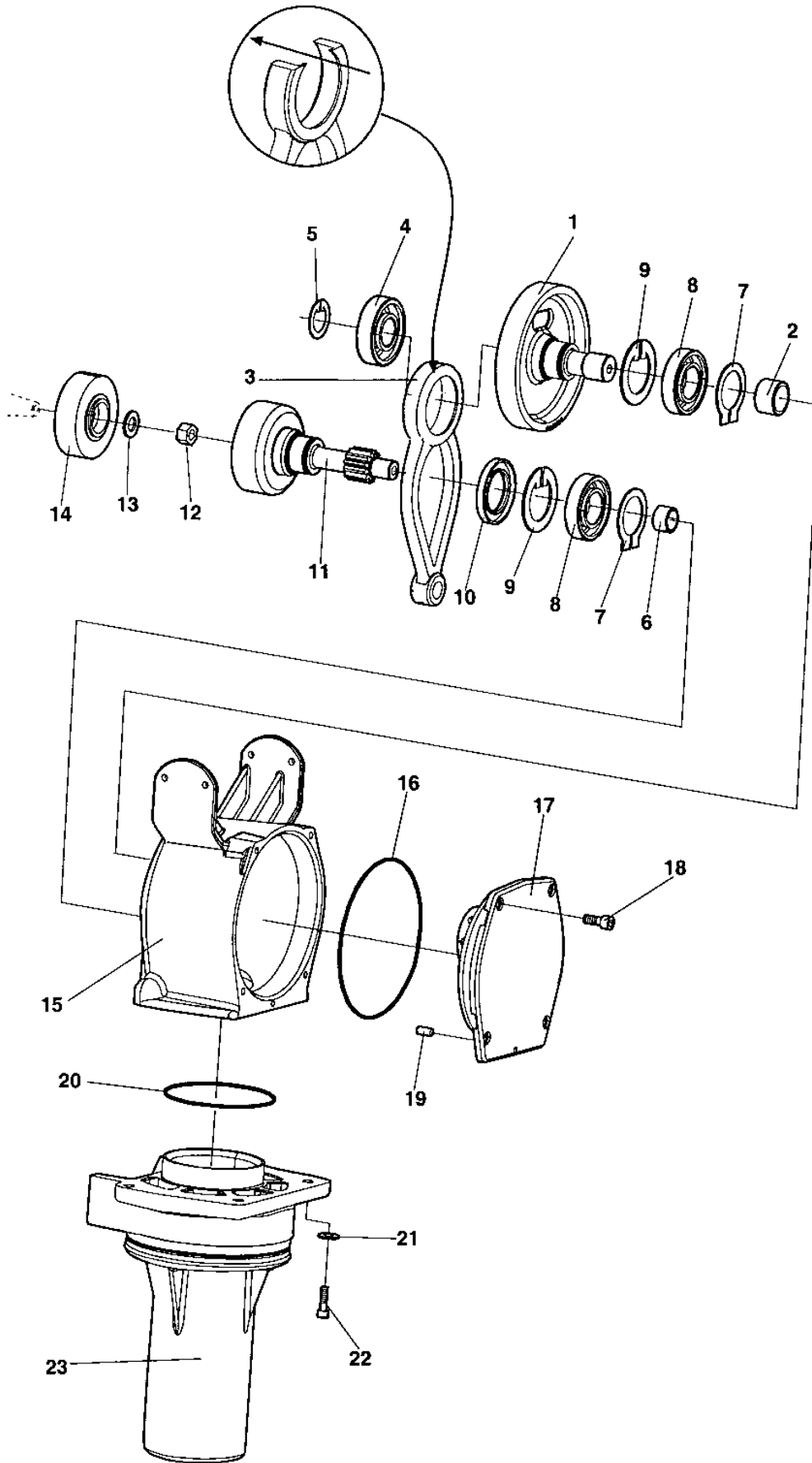
B) Replaced by 390087

Ramming system

Item	Part No	Rem Qty	Description	Code
10			Transmission (Page 10)	
20			Spring unit (Page 12)	
40			Foot 11" (Page 14)	
50			Option, extended foot (Page 16)	

Transmission

17379-1



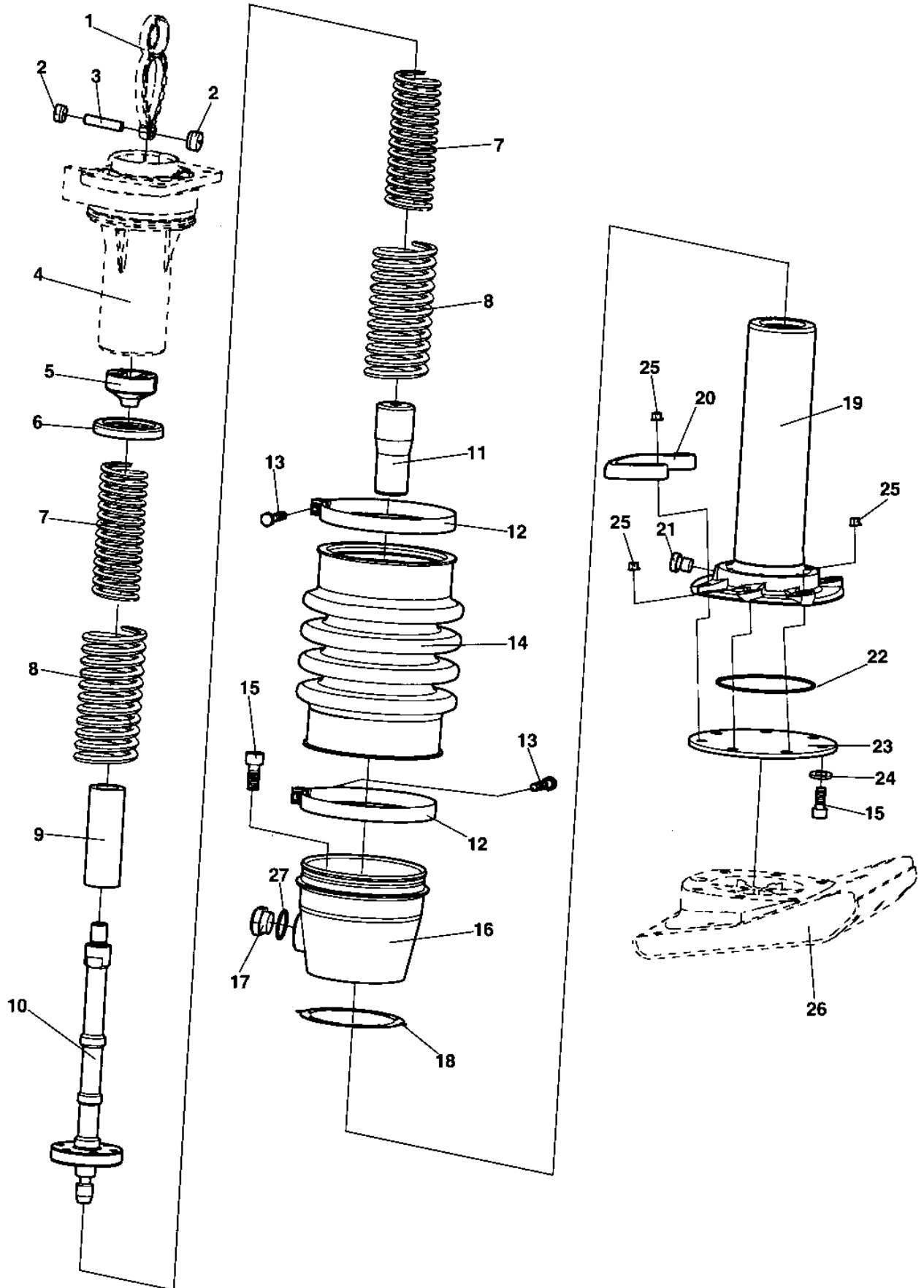
Transmission

Item	Part No	Rem	Qty	Description	Code
1	4700380906		1	Gear wheel	
2	4700904950		1	Needle bearing	
3	4700380920		1	Connecting rod	
4	4700111078		1	Ball bearing	
5	4700150009		1	Snap ring	
6	4700904949		1	Needle bearing	
7	4700150014		2	Snap ring	D
8	4700903520		2	Bearing	
9	4700151025		2	Snap ring	
10	4700904952		1	Sealing	
11	4700381477		1	Shaft	
12		A	1	Nut	
13		A	1	Washer	
14		A	1	Clutch	
15	4700388403		1	Crankcase	
16	4700160106		1	O-ring	
17	4700388405		1	Cover	
18	4700508096		4	Screw	
19	4700628006		1	Pin	
20	4700160035		1	O-ring	
21	4700904230		4	Washer	
22	4700508053		4	Screw	
23	4700388407		1	Outer tube	

A) See section power transmission

Spring unit

17380-1



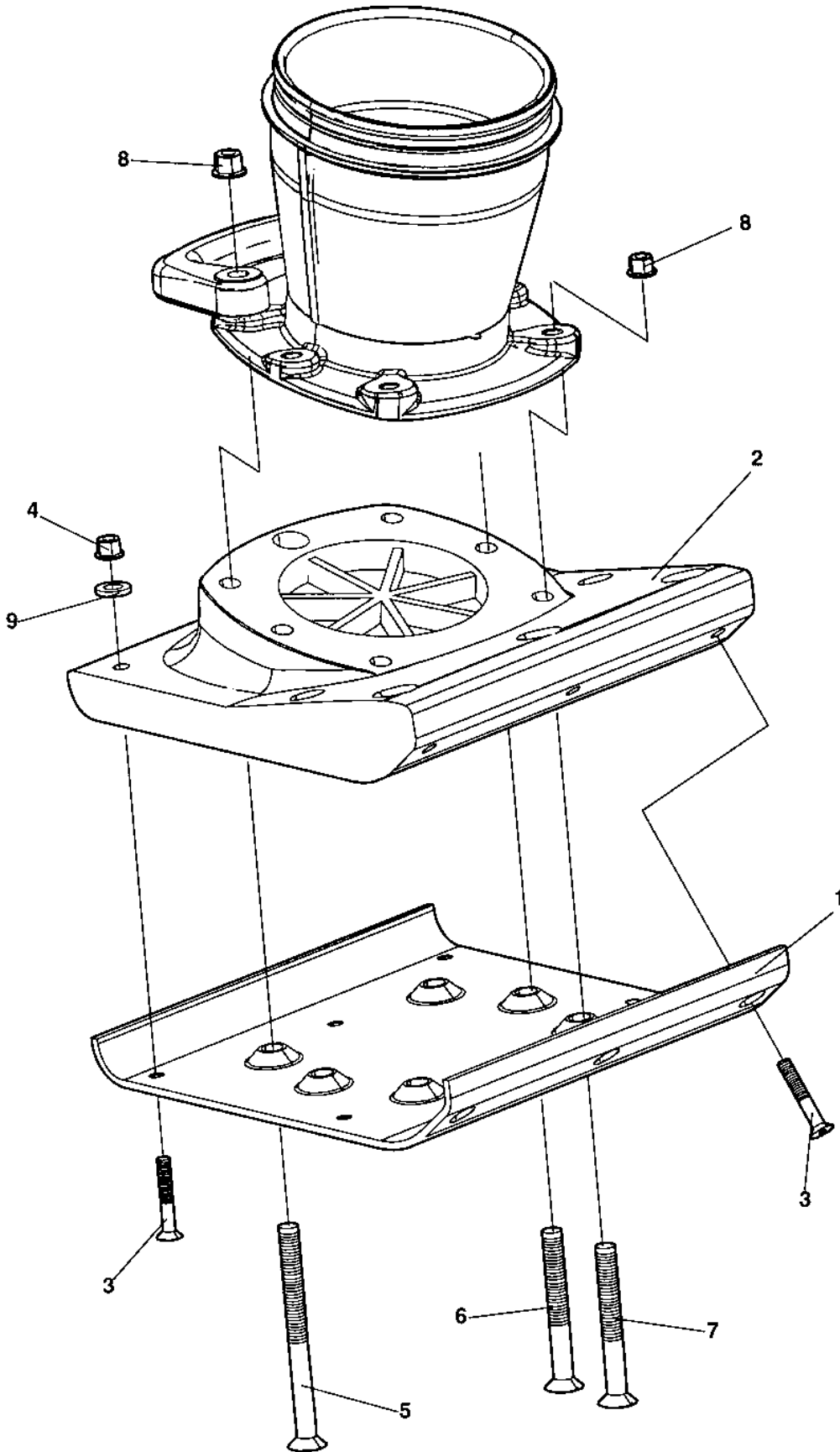
Spring unit

Item	Part No	Rem	Qty	Description	Code
1		A	1	Crank shaft	
2	4700381482		2	Plug	
3	4700381479		1	Piston bolt	
4		B	1	Outer tube	
5	4700381961		1	Rod piston head	
6	4700383681		1	Lid	
7	4700380895		2	Spring	
8	4700380894		2	Spring	
9	4700380899		1	Stop	
10	4700383668		1	Rod piston	
11	4700380902		1	Stop	
12	4700283631		2	Hose clamp	
13	4700500023		2	Screw	M8-1,25x40 8,8
14	4700283627		1	Bellows	
15	4700508092		13	Screw	
16	4700388409		1	Bellows support	
17	4700791395		1	Sight plug	
18	4700383666		1	Gasket	
19	4700383669		1	Inner tube	
20	4700384416		1	Handle	
21	4700904951		1	Plug	
22	4700160054		1	O-ring	
23	4700382369		1	Lid	
24	4700162009		6	Seal ring	D
25		C	6	Nut	D
26		C	1	Foot	D
27	4700791376		1	Fiber washer	

- A) See section transmission. item 3
- B) See section transmission, item 28
- C) See section foot

Foot 11"

17477



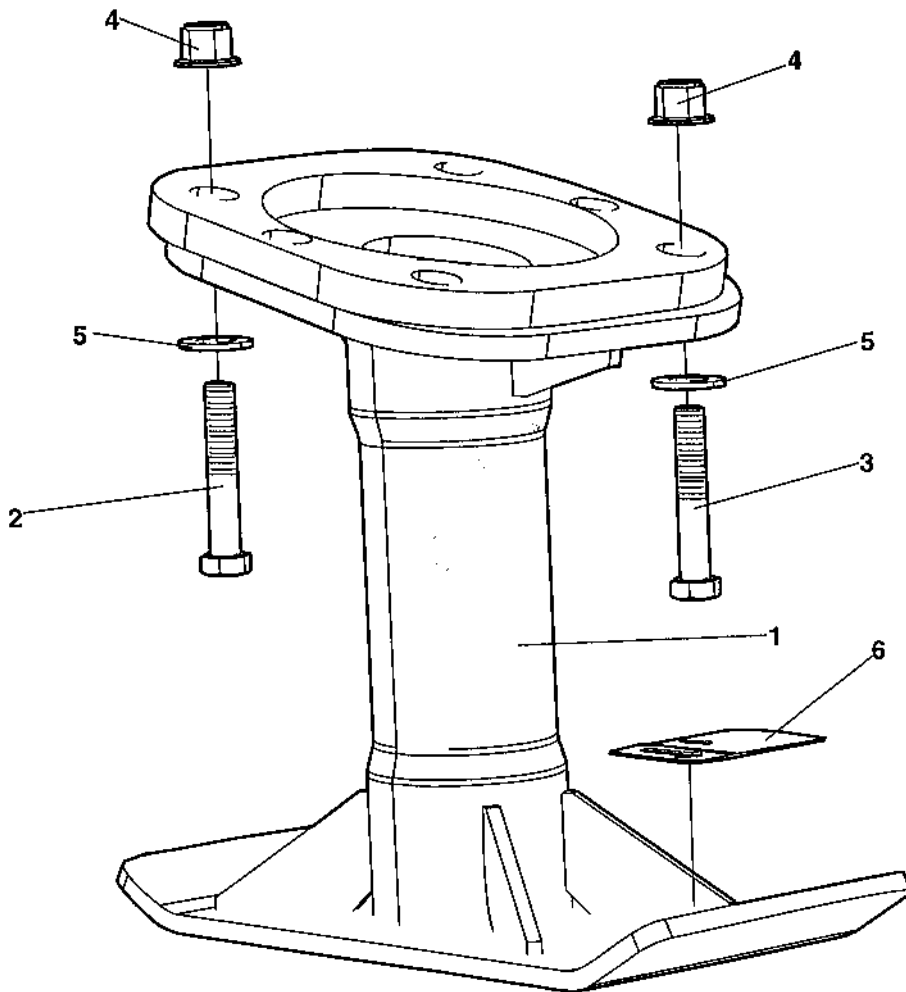
Foot 11"

Item	Part No	Rem	Qty	Description	Code
	4700939183		1	Foot kit, cpl	
1	4700382371		1	.Ground plate	
2	4700382366	A	1	.Foot	
3	4700791331		8	.Screw	
4	4700902286		8	.Lock nut	M8
5	4700791339		2	.Screw	
6	4700791085		2	.Screw	
7	4700791337		2	.Screw	
8	4700902288		6	.Nut	M12
9	4700904640		7	.Washer	8,4x22x3

A) Widht = 11"

Option, extended foot

18069

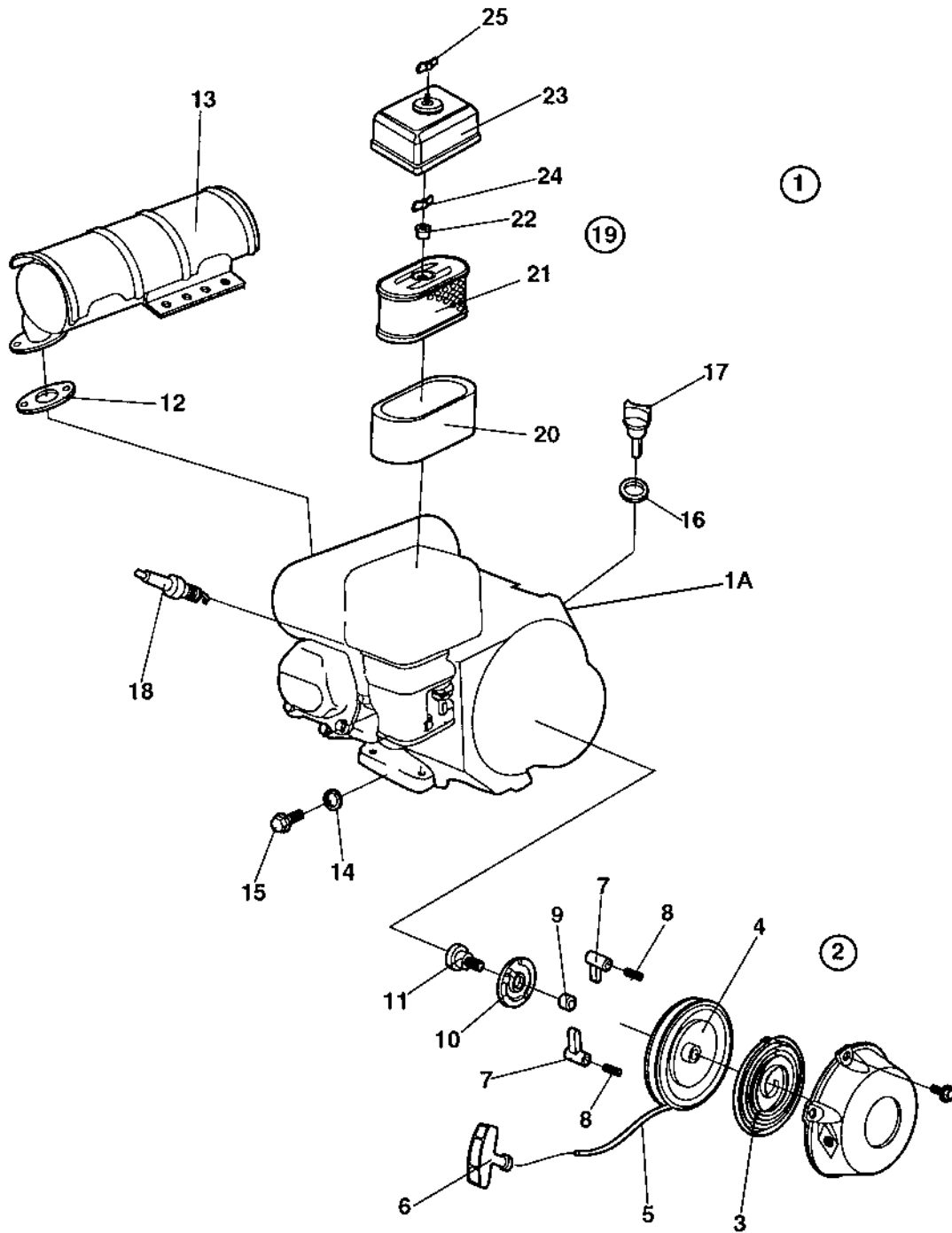


Option, extended foot

Item	Part No	Rem Qty	Description	Code
1	4700389980	1	Extended foot	
2	4700928198	2	Screw	
3	4700903735	4	Screw	
4	4700902280	6	Side ring	
5	4700904231	6	Washer	13x24x2 300 HV
6	4700377125	1	Decal	

Engine and fuel system

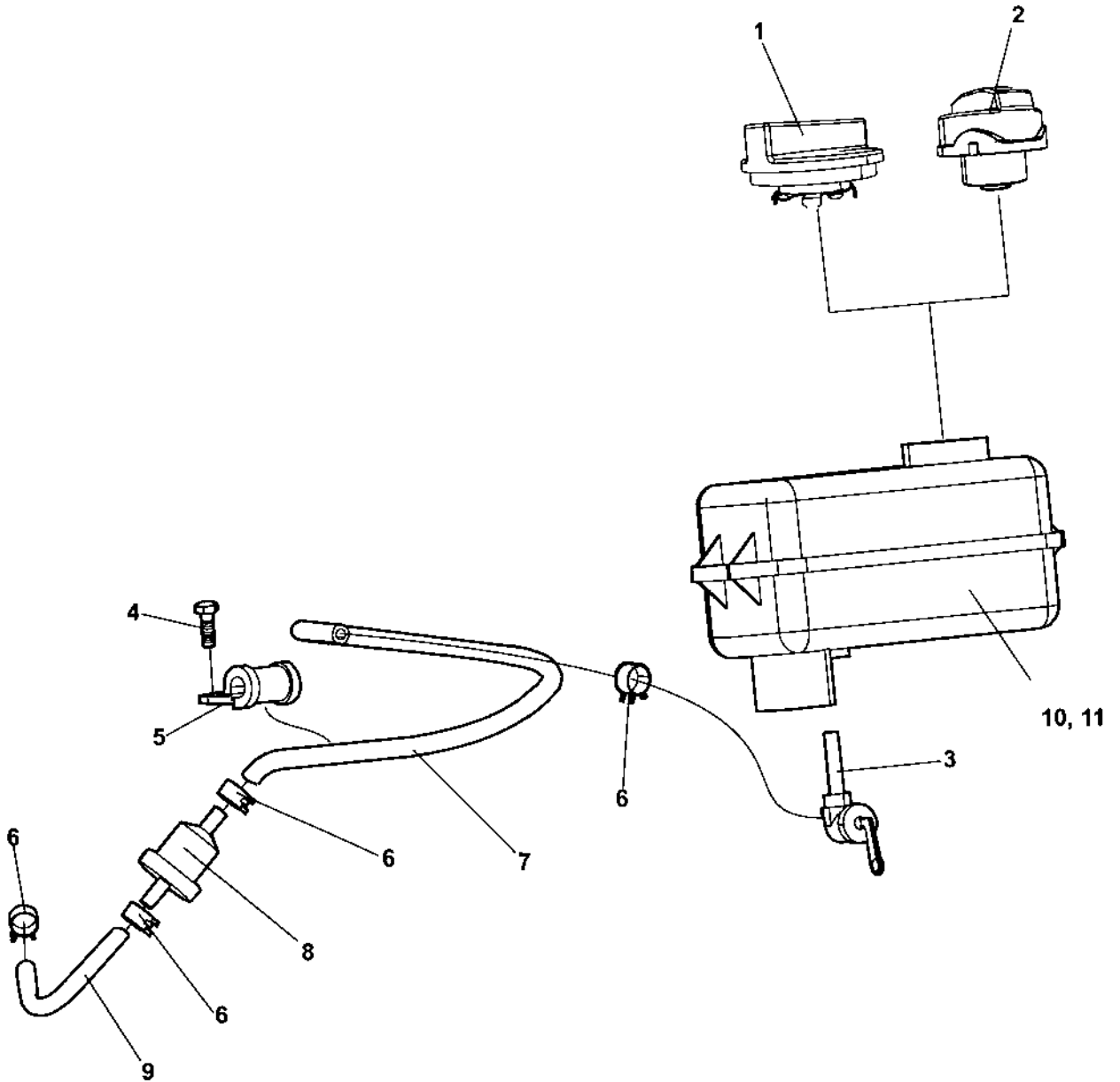
Item	Part No	Rem Qty	Description	Code
20			Engine (Page 20)	Honda GX120K1
30			Fuel system (Page 22)	Up to S/N: 77003319
40			Fuel system (Page 24)	From S/N: 77003320



Engine Honda GX120K1

Item	Part No	Rem	Qty	Description	Code
1	4700381108		1	Engine, cpl	
	4700939406		1	.Carburettor	
1-A	4700940293		1	.Switch	
2	4700239065		1	.Recoil starter, cpl	D
3	4700239375		1	..Spring	B
4	4700938978		1	..Reel	
5	4700239374		1	..Starter rope	B
6	4700239391		1	..Handle	B
7	4700239378		2	..Ratchet	
8	4700239377		2	..Spring	
9	4700239379		1	.Friction spring	
10	4700239380		1	.Guide	
11	4700239381		1	.Screw	
12	4700239063		1	.Gasket, muffler	
13	4700935884		1	.Muffler	
14	4700238303		2	.Gasket	D
15	4700238302		2	.Oil plug	D
16		A	1	.Washer	D
17	4700239893		1	.Oil dipstick	
18	4700937476		1	.Spark plug	
19	4700239323		1	.Air filter, cpl	A
20			1	..Air filter, outer	A
21			1	..Air filter element	A
22	4700239772		1	..Grommet	
23	4700239685		1	.Cover	
24	4700239771		1	.Nut	
25	4700238314		1	.Nut	
			1		

A) Included in item 15



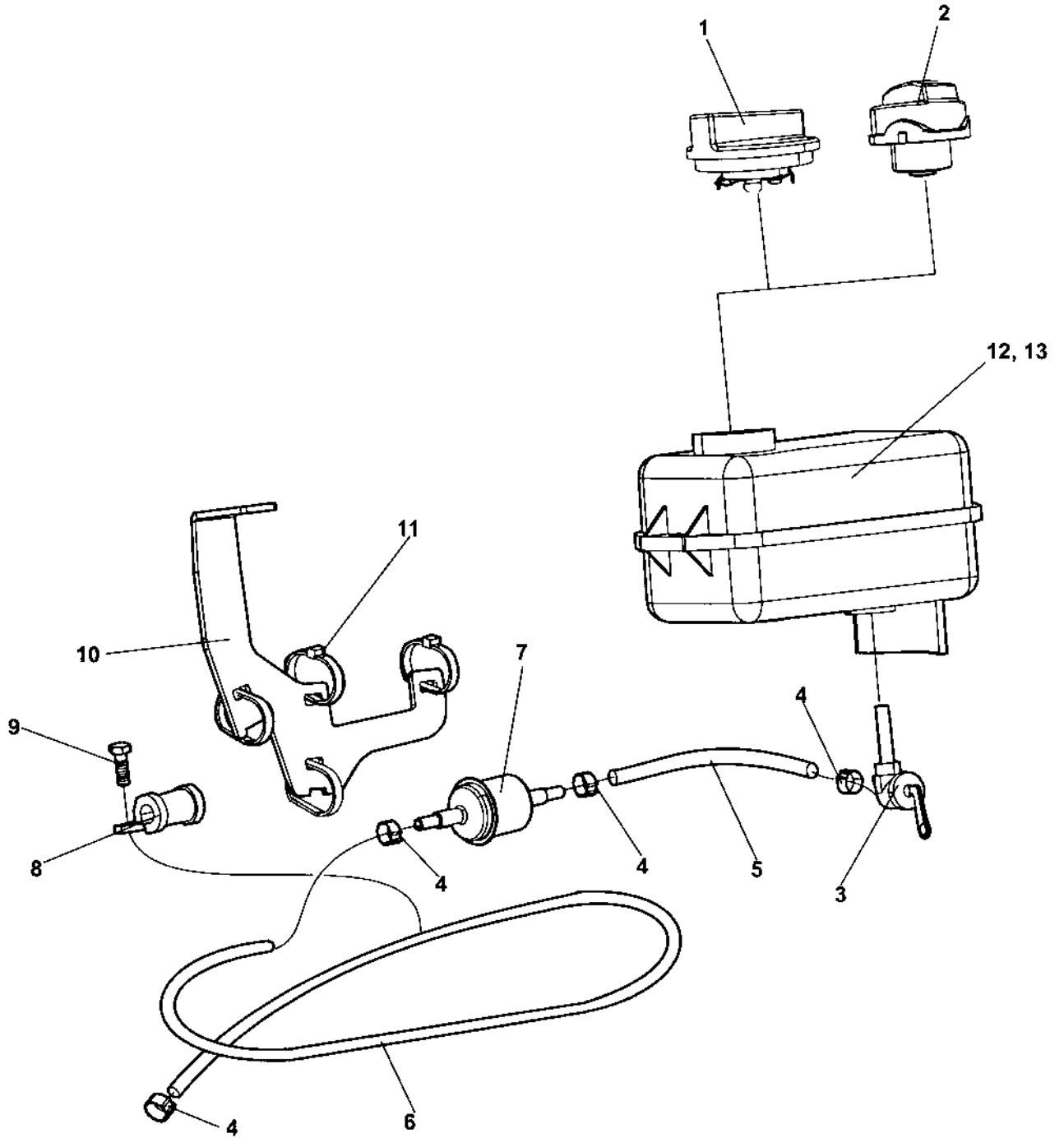
Fuel system Up to S/N: 77003319

Item	Part No	Rem	Qty	Description	Code
1	4700389197	A	1	Filler cap	
2	4700950307	B	1	Filler cap	
3	4700283640		1	Fuel cock	
4	4700500501		1	Screw	M6x20
5	4700921068		1	Clamp	
6	4700935440		4	Hose clamp	
7	4700940846		1	Fuel hose	
8	4700935438		1	Line filter	A
9	4700940857		1	Fuel hose	
10	4700283634	C	1	Tank	
11	D396065-02	D	1	Tank	

- A) Old version, valid for old tank 4700283634 with bayonet joint
B) New version, valid for tank D396065-02 with screw-in mount
C) Old version, replaced by D396065-02
D) New version, complete with cap

Fuel system From S/N: 77003320

18295-1



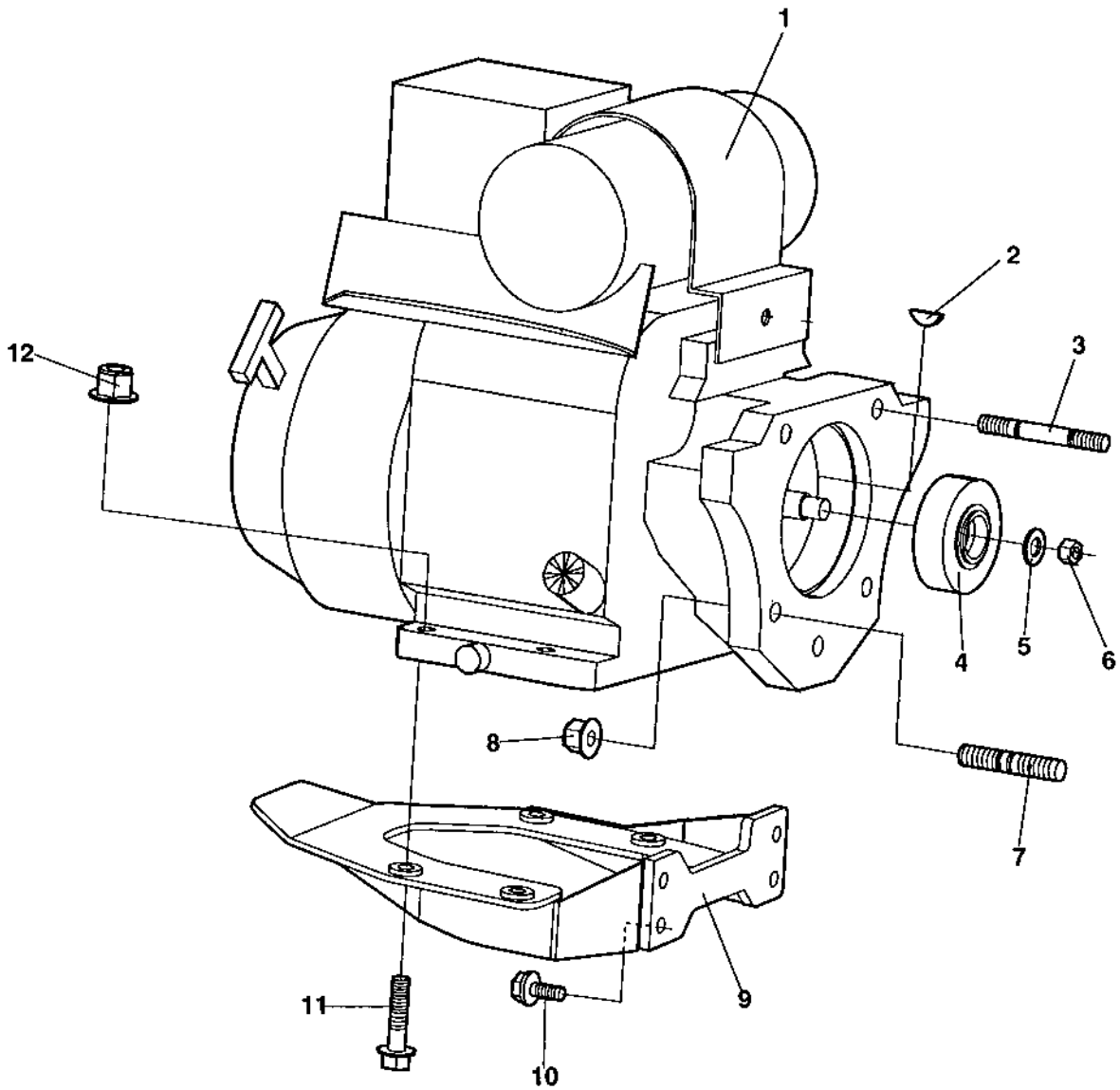
Fuel system From S/N: 77003320

Item	Part No	Rem	Qty	Description	Code
1	4700389197	F	1	Filler cap	
2	4700950307	G	1	Filler cap	
3	4700283640		1	Fuel cock	
4	4700791574		4	Hose clamp	
5	4700792613	A	1XL	Hose	
6	4700792613	B	1XL	Hose	
7	4700935438		1	Line filter	A
8	4700921068		1	Clamp	
9	4700500501		1	Screw	M6x20
10	4700378479	C	1	Bracket	
11	4700313041	C	4	Cable ties	
12	4700283634	D	1	Tank	
13	D396065-02	E	1	Tank	
			1		

- A) L = 0,088 m
- B) L = 0,5 m
- C) Old version
- D) Old version, replaced by D396065-02
- E) New version, complete with cap
- F) Old version, valid for old tank 4700283634 with bayonet joint
- G) New version, valid for new tank D396065-02 with screw-in mount

Power transmission

Item	Part No	Rem Qty	Description	Code
30			Engine installation (Page 28)	
40			Centrifugal clutch (Page 30)	

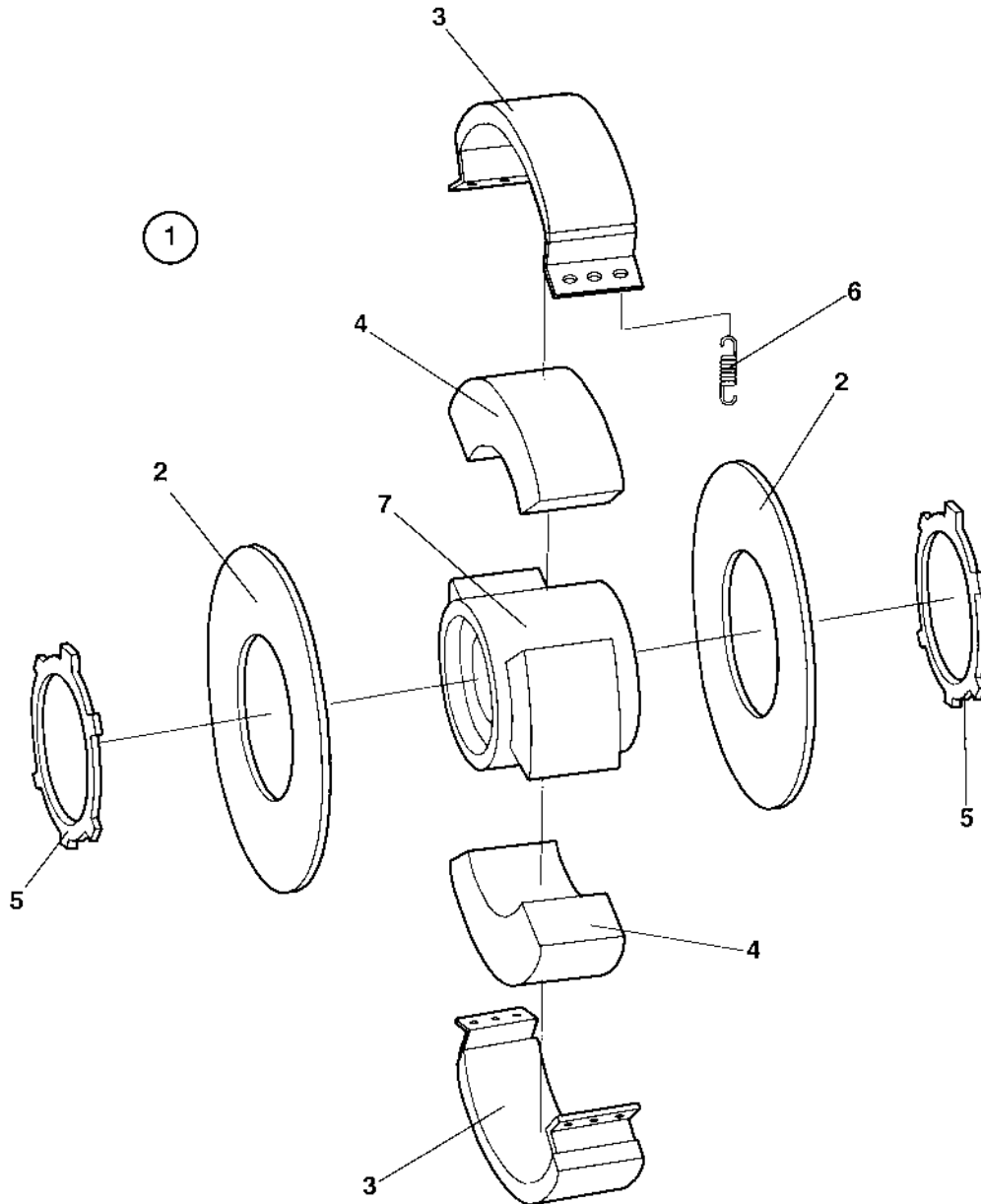


Engine installation

Item	Part No	Rem	Qty	Description	Code
1		A	1	Engine (Page 20)	Honda GX120K1
2	4700384992		1	Key	
3	4700939247		1	Stud	
4		B	1	Centrifugal clutch (Page 30)	
5	4700904638		1	Washer	12x22x2
6	4700900754		1	Nut	
7	4700939246		3	Stud	
8	4700935690		4	Nut	
9	4700385000		1	Engine stay	
10	4700500505		4	Screw	M8x20 8.8
11	4700500507		4	Screw	
12	4700902286		4	Lock nut	M8

A) See section engine

B) See section clutch



Centrifugal clutch

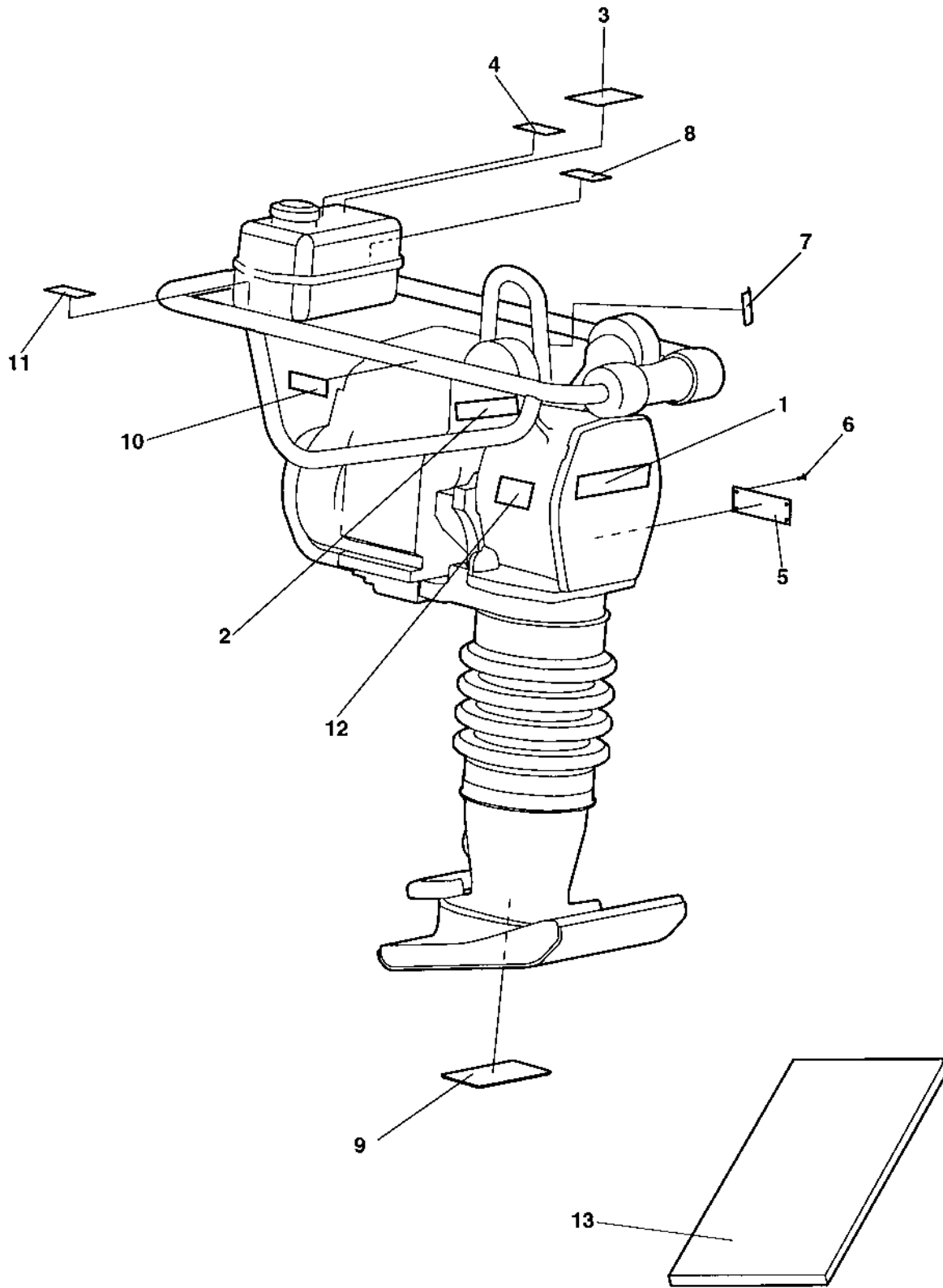
Item	Part No	Rem Qty	Description	Code
1	4700381481	1	Clutch, cpl	
2	4700239820	2	.Cover	
3	4700938289	2	.Clutch lining	
4	4700938652	2	.Centrifugal weight	
5	4700239734	2	.Retaining ring	
6	4700937954	4	.Spring	
7	4700938651	1	.Hub	

Decals and documentation

Item	Part No	Rem Qty	Description	Code
10			Decals and documentation (Page 34)	

Decals and documentation

17382



Decals and documentation

Item	Part No	Rem	Qty	Description	Code
1				Not used on this model	
2	4700386334		2	Decal "LT700"	
3	4700386224		1	Decal	
	4700791351		4	Drive screw	
4			1	Not used on this model	
5	47281270SE		1	Product identification plate CE	
6	4700527002		4	Drive screw	
7	4700281269		2	Decal "LIFT"	
8			1	Not used on this model	
9	4700791088		1	Decal	
10	4700904366		2	Safety decal "Hot surface"	
11	4700385878		1	Decal	
12	4700791295	B	1	Decal "Sound power level"	107dB
13			1	Documentation	
			1	.Instruction book, Honda	Honda GX 120
			1	.Operation	ILT700
			1	.Spare parts catalogue	SLT700
			1	.Warranty registration certificate	
			1	.CE declaration	

B) LT700

NUMERICAL INDEX

Part Number	Page	Part Number	Page	Part Number	Page
4700111078	11	4700386119	7	4700904951	13
4700150009	11	4700386224	35	4700904952	11
4700150014	11	4700386334	35	4700921068	23,25
4700151025	11	4700386785	7	4700923976	7
4700160035	11	4700386786	7	4700928198	17
4700160054	13	4700386787	7	4700935438	23,25
4700160106	11	4700388403	11	4700935440	23
4700162009	13	4700388405	11	4700935690	29
4700238302	21	4700388407	11	4700935884	21
4700238303	21	4700388409	13	4700937476	21
4700238314	21	4700389197	23,25	4700937954	31
4700239063	21	4700389980	17	4700938289	31
4700239065	21	4700390087	7	4700938651	31
4700239323	21	4700390089	7	4700938652	31
4700239374	21	4700500006	7	4700938978	21
4700239375	21	4700500023	13	4700939108	7
4700239377	21	4700500501	7,23,25	4700939183	15
4700239378	21	4700500505	29	4700939246	29
4700239379	21	4700500506	7	4700939247	29
4700239380	21	4700500507	29	4700939406	21
4700239381	21	4700508018	7	4700940293	21
4700239391	21	4700508053	11	4700940846	23
4700239685	21	4700508092	13	4700940857	23
4700239734	31	4700508096	11	4700950307	23,25
4700239771	21	4700527002	35	47281270SE	35
4700239772	21	4700586002	7	D396065-02	23,25
4700239820	31	4700628006	11		
4700239893	21	4700791085	15		
4700281269	35	4700791088	35		
4700283627	13	4700791295	35		
4700283631	13	4700791323	7		
4700283634	23,25	4700791331	15		
4700283640	23,25	4700791337	15		
4700313041	25	4700791339	15		
4700377125	17	4700791343	7		
4700378479	25	4700791344	7		
4700380894	13	4700791351	35		
4700380895	13	4700791376	13		
4700380899	13	4700791388	7		
4700380902	13	4700791395	13		
4700380906	11	4700791574	25		
4700380920	11	4700792613	25		
4700381108	21	4700900754	29		
4700381477	11	4700902041	7		
4700381479	13	4700902280	17		
4700381481	31	4700902284	7		
4700381482	13	4700902285	7		
4700381961	13	4700902286	7,15,29		
4700382366	15	4700902288	15		
4700382369	13	4700903386	7		
4700382371	15	4700903520	11		
4700383666	13	4700903735	17		
4700383668	13	4700904230	11		
4700383669	13	4700904231	17		
4700383677	7	4700904281	7		
4700383681	13	4700904366	35		
4700384416	13	4700904504	7		
4700384496	7	4700904638	29		
4700384992	29	4700904640	15		
4700385000	29	4700904698	7		
4700385439	7	4700904949	11		
4700385878	35	4700904950	11		

