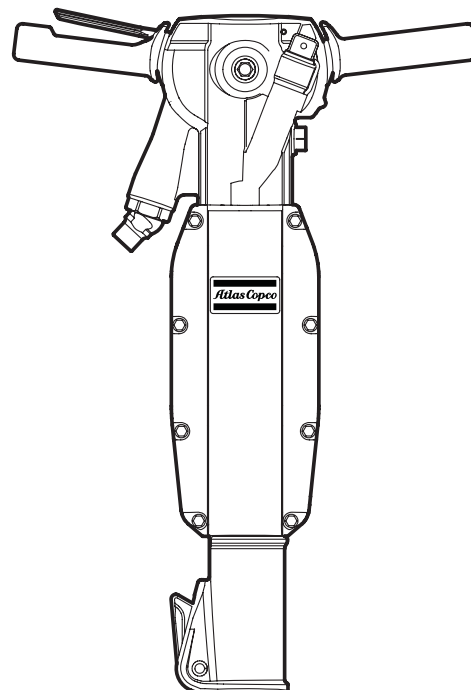


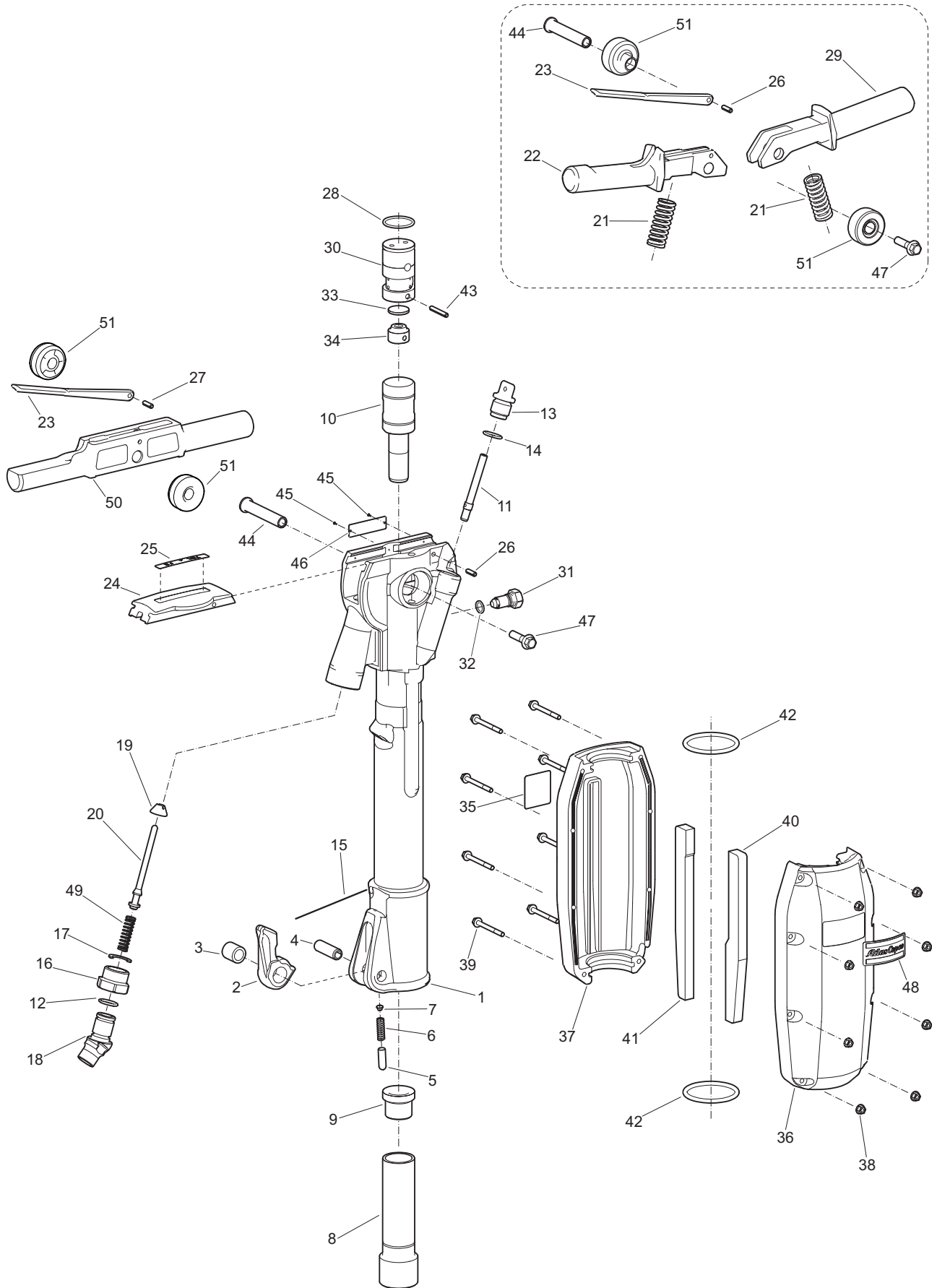
Spare parts list Pneumatic breaker



Contents

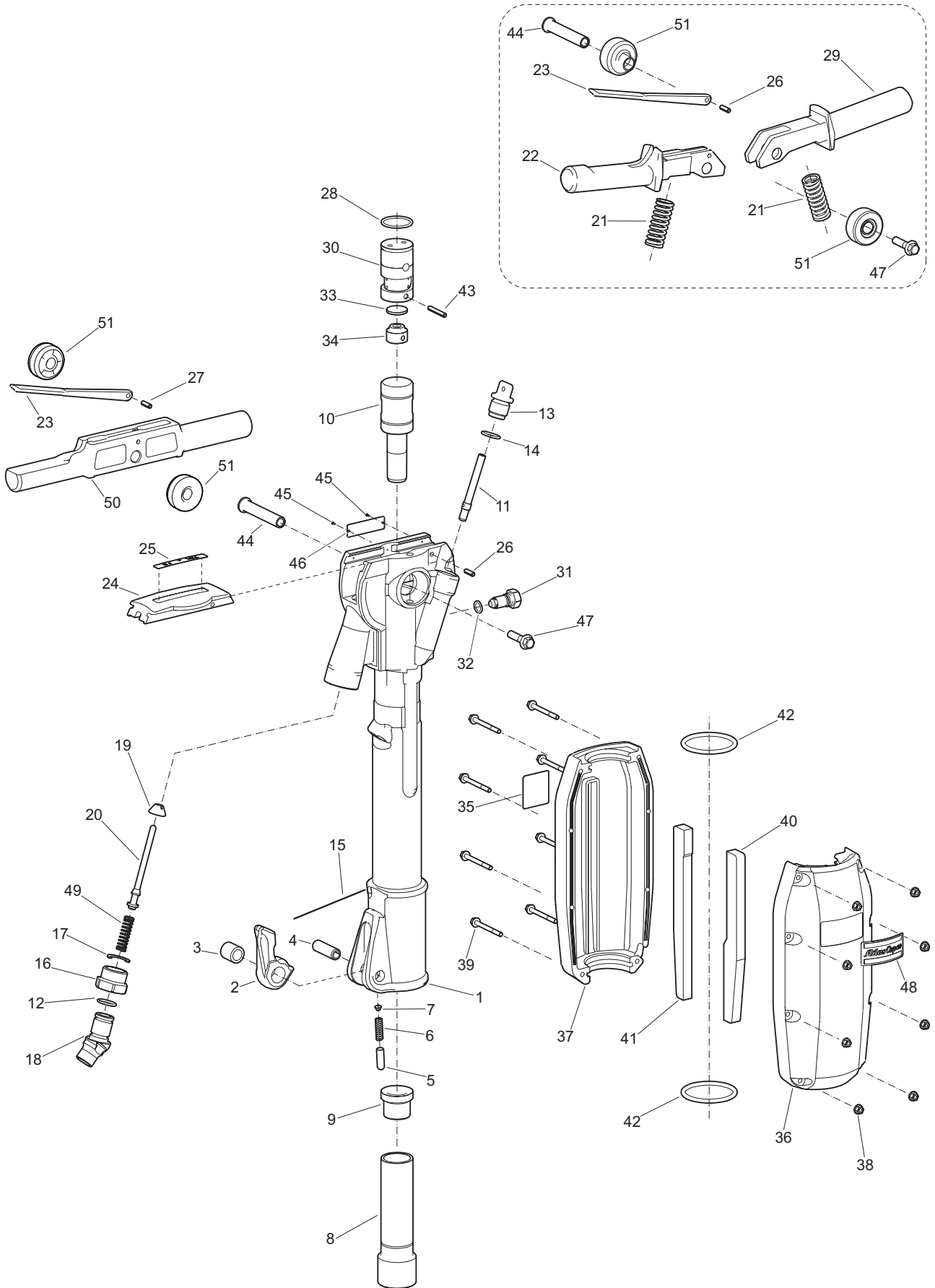
Spare parts list	4
Working tools, ISO standard	8
Working tools, US standard	9
Claw couplings	10
Air oil	10
Shank gauge	10

Spare parts list



No.	Description	Quantity						Ordering No.
		140PS 22x82.5	140PS 25x108 US	140PS 25x108	150PE 22x82.5	150PE 25x108 US	150PE 25x108	
1	Cylinder	1	1	1	1	1	1	3310 1533 00
(2-3)	Tool retainer kit	1	1	1	1	1	1	3310 0890 80
2	Tool retainer	1	1	1	1	1	1	—*)
3	Bushing	1	1	1	1	1	1	3310 0891 00
4	Spring pin	1	1	1	1	1	1	0108 1691 05
5	Plunger	1	1	1	1	1	1	3310 0893 00
6	Spring	1	1	1	1	1	1	3310 0894 00
7	Protection plug	1	1	1	1	1	1	3310 1508 00
8	Tool chuck	1	-	-	1	-	-	3310 1507 00
8	Tool chuck	-	1	1	-	1	1	3310 1496 00
9	Intermediate part	1	-	-	1	-	-	3310 1506 00
9	Intermediate part	-	1	1	-	1	1	3310 1497 00
10	Piston	1	-	-	1	-	-	3310 1505 00
10	Piston	-	1	1	-	1	1	3310 1495 00
11	Dosing feeder	1	1	1	1	1	1	3310 1295 00
12	O-ring	1	1	1	1	1	1	0663 2126 00
(13-14)	Oil plug kit	1	1	1	1	1	1	3310 1462 80
13	Oil plug	1	1	1	1	1	1	—*)
14	O-ring	1	1	1	1	1	1	0663 2126 00
15	Lock wire	1	1	1	1	1	1	3310 1534 00
16	Swivel nut	1	1	1	1	1	1	3310 1044 00
17	Lock washer	1	1	1	1	1	1	3310 1059 00
18	Swivel	1	1	1	1	1	1	3310 1536 00
19	Inlet valve	1	1	1	1	1	1	3310 1211 00
20	Valve stem	1	1	1	1	1	1	3310 1492 00
21	Spring	-	-	-	2	2	2	3310 1083 00
22	Handle	-	-	-	1	1	1	3310 1458 80
23	Trigger	1	1	1	1	1	1	3310 1460 80
24	Cover	1	1	1	1	1	1	3310 1478 00
25	Label "TEX 140PS"	1	1	1	-	-	-	3310 1516 01
25	Label "TEX 150PE"	-	-	-	1	1	1	3310 1516 02
26	Spring pin	1	1	1	2	2	2	0108 1324 00
27	Pin	1	1	1	-	-	-	0102 0320 00
28	O-ring	1	1	1	1	1	1	0663 2132 00

*) Not delivered separately

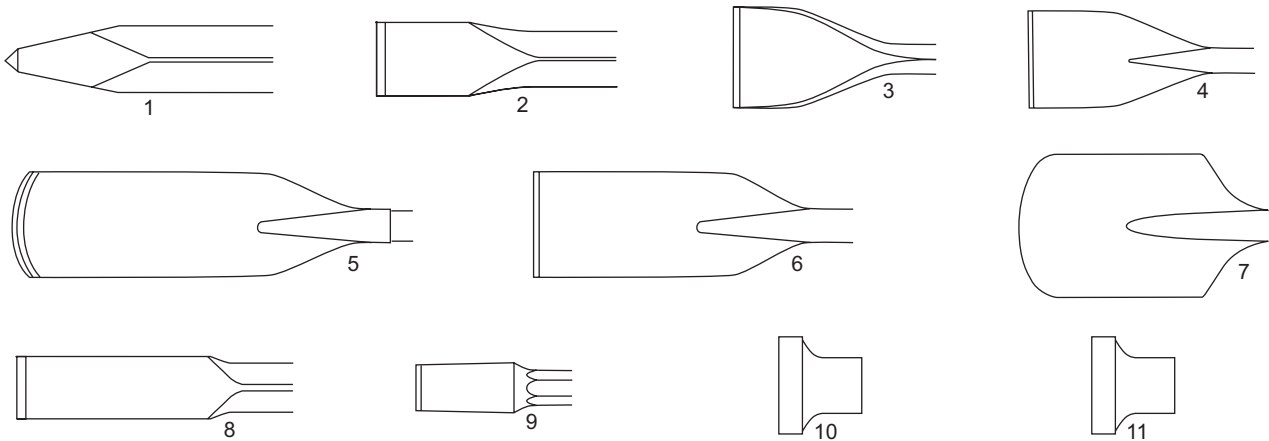


No.	Description	Quantity						Ordering No.
		140PS 22x82.5	140PS 25x108 US	140PS 25x108	150PE 22x82.5	150PE 25x108 US	150PE 25x108	
29	Handle	-	-	-	1	1	1	3310 1459 80
30	Valve housing	1	1	1	1	1	1	3310 1494 00
(31-32)	Screw kit	1	1	1	1	1	1	3310 1476 80
31	Screw	1	1	1	1	1	1	—*)
32	O-ring	1	1	1	1	1	1	0663 2120 00
33	Main valve	1	1	1	1	1	1	3310 1173 00
34	Valve cover	1	1	1	1	1	1	3310 1245 00
35	Sound label	1	1	1	1	1	1	—*)
(36-42)	Silencer kit	1	1	1	1	1	1	3310 1512 82
(36-37)	Silencer	1	1	1	1	1	1	3310 1512 00
36	Front	1	1	1	1	1	1	—*)
37	Rear	1	1	1	1	1	1	—*)
38	Flange nut	8	8	8	8	8	8	9232 0207 50
39	Flange screw	8	8	8	8	8	8	0147 1976 06
40	Separation wall	1	1	1	1	1	1	3310 1518 00
41	Separation wall	1	1	1	1	1	1	3310 1518 01
42	O-ring	2	2	2	2	2	2	0663 2114 13
43	Spring pin	1	1	1	1	1	1	0108 1332 00
44	Guide shaft	1	1	1	1	1	1	3310 1479 01
45	Screw	2	2	2	2	2	2	0244 4144 00
46	Data plate	1	1	1	-	-	-	—*)
46	Data plate	-	-	-	1	1	1	—*)
47	Flange screw	1	1	1	1	1	1	0147 3000 18
48	Label "Atlas Copco"	1	1	1	1	1	1	0690 1356 00
49	Spring	1	1	1	1	1	1	3310 1537 00
50	Handle	1	1	1	-	-	-	3310 1510 00
51	Buffer	2	2	2	-	-	-	3310 1517 15
51	Buffer	-	-	-	2	2	2	3310 1461 15

*) Not delivered separately

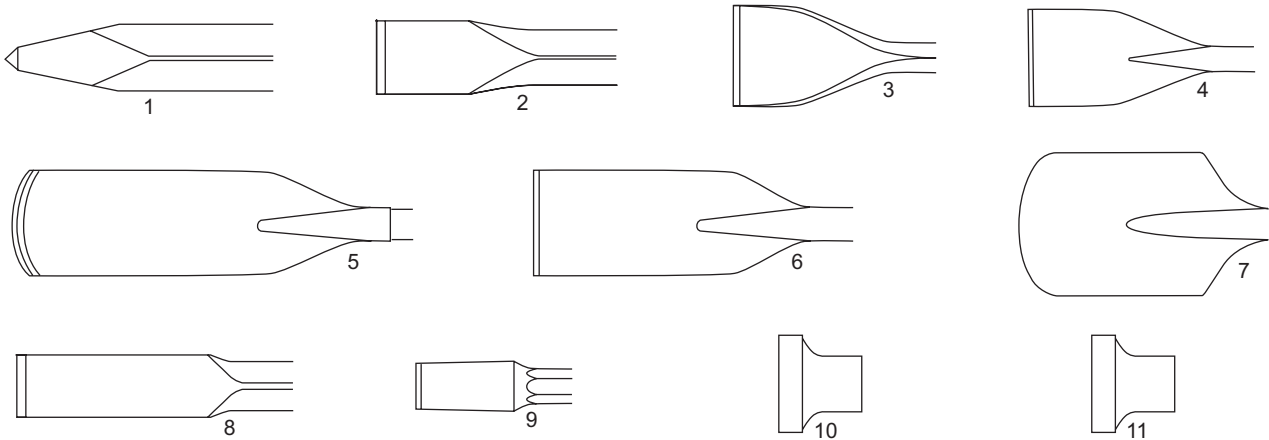
Working tools, ISO standard

No.		ISO standard 25 x 108 mm 1" x 4 1/4"			ISO standard 22 x 82.5 mm 7/8" x 3 1/4"		
		W (mm)	L (mm)	Ordering No.	W (mm)	L (mm)	Ordering No.
1	Moil point	-	380	3083 3253 00	-	380	3083 3242 00
2	Narrow chisel	28	380	3083 3254 00	25	380	3083 3244 00
3	Wide chisel	75	380	3083 3255 00	75	380	3083 3246 00
4	Asphalt cutter	-	-	-	125	380	3083 3069 00
5	Digging chisel	75	380	3083 3256 00	75	450	3083 3247 00
6	Digging spade	120	380	3083 3257 00	120	400	3083 3248 00
7	Clay spade	125	430	3083 3033 00	125	430	3083 3249 00
8	Wedge chisel	35	380	3083 3258 00	35	380	3083 3250 00
9	Shaft for tamping pad	-	280	3083 3259 00	-	310	3083 3251 00
10	Tamping pad, round	175	-	3083 3252 10	175	-	3083 3252 10
11	Tamping pad, square	175	-	3083 3239 00	175	-	3083 3239 00



Working tools, US standard

		US standard 1" x 4 1/4" 25 x 108 mm		
No.		W (in.)	L (in.)	Ordering No.
1	Moil point	-	15	3083 4030 00
		-	18	3083 4030 10
		-	24	3083 4030 20
2	Narrow chisel	1 3/32	15	3083 3309 00
		1 3/32	18	3083 4031 10
		1 3/32	24	3083 4031 20
3	Wide chisel	3	15	3083 3310 00
		3	18	3083 4032 00
4	Asphalt cutter	5	13	3083 4033 00
5	Digging chisel	3	15	3083 3311 00
6	Digging spade	4 3/4	15	3083 3312 00
7	Clay spade	5	17	3083 4035 00
8	Wedge chisel	2	15	3083 3313 00
9	Shaft for tamping pad	-	11	3083 4037 00
10	Tamping pad, round	7	-	3083 3252 10
11	Tamping pad, square	7	-	3083 3239 00



Claw couplings

Description	Quantity	Dimensions	Ordering No.
Claw coupling, complete	1	Standard 3/4"	9000 0306 00
Claw coupling	1		—*)
Seal	1		9000 0000 00
Claw coupling with strainer, complete	1	Standard 3/4"	9000 0306 01
Claw coupling	1		—*)
Strainer	1		9000 0000 10
Seal	1		9000 0000 00
Claw coupling, complete	1	US-universal 3/4"	9001 0005 06
Claw coupling	1		—*)
Seal	1		9001 0005 15

*) Not delivered separately

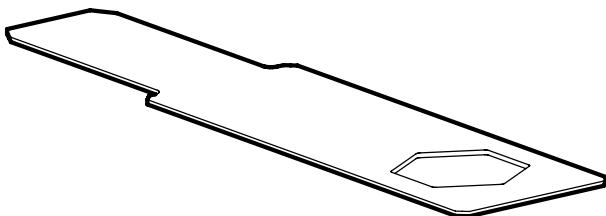
Air oil

Description	Dimensions	Ordering No.
Air oil bottle 0,2 l	0,2 l	8099 0202 40
Air oil bottle 1 l	1 l	8099 0202 36
Air oil container 5 l	5 l	8099 0202 02
Air oil container 25 l	25 l	8099 0202 20
Air oil barrel 200 l	200 l	8099 0202 28



Shank gauge

Description	Dimensions	Ordering No.
Gauge, Hex 25	25 mm (1")	3310 1509 25
Gauge, Hex 28	28 mm (1 1/8")	3310 1509 28





Any unauthorized use or copying of the contents or any part thereof is prohibited.
This applies in particular to trademarks, model denominations, part numbers and drawings.

© 2007 Atlas Copco Construction Tools AB, Stockholm, Sweden | No. 9800 0757 01a | 2007-07-09