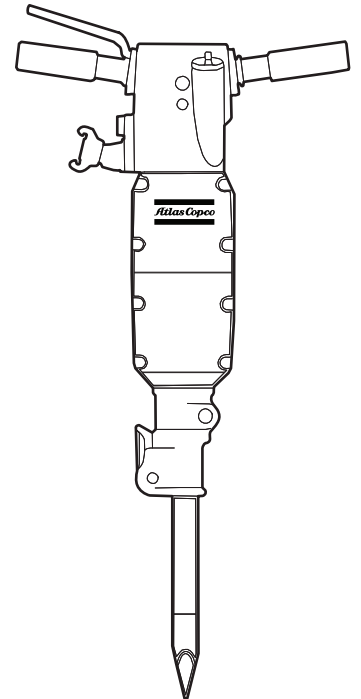


Spare parts list

Handheld pneumatic breakers

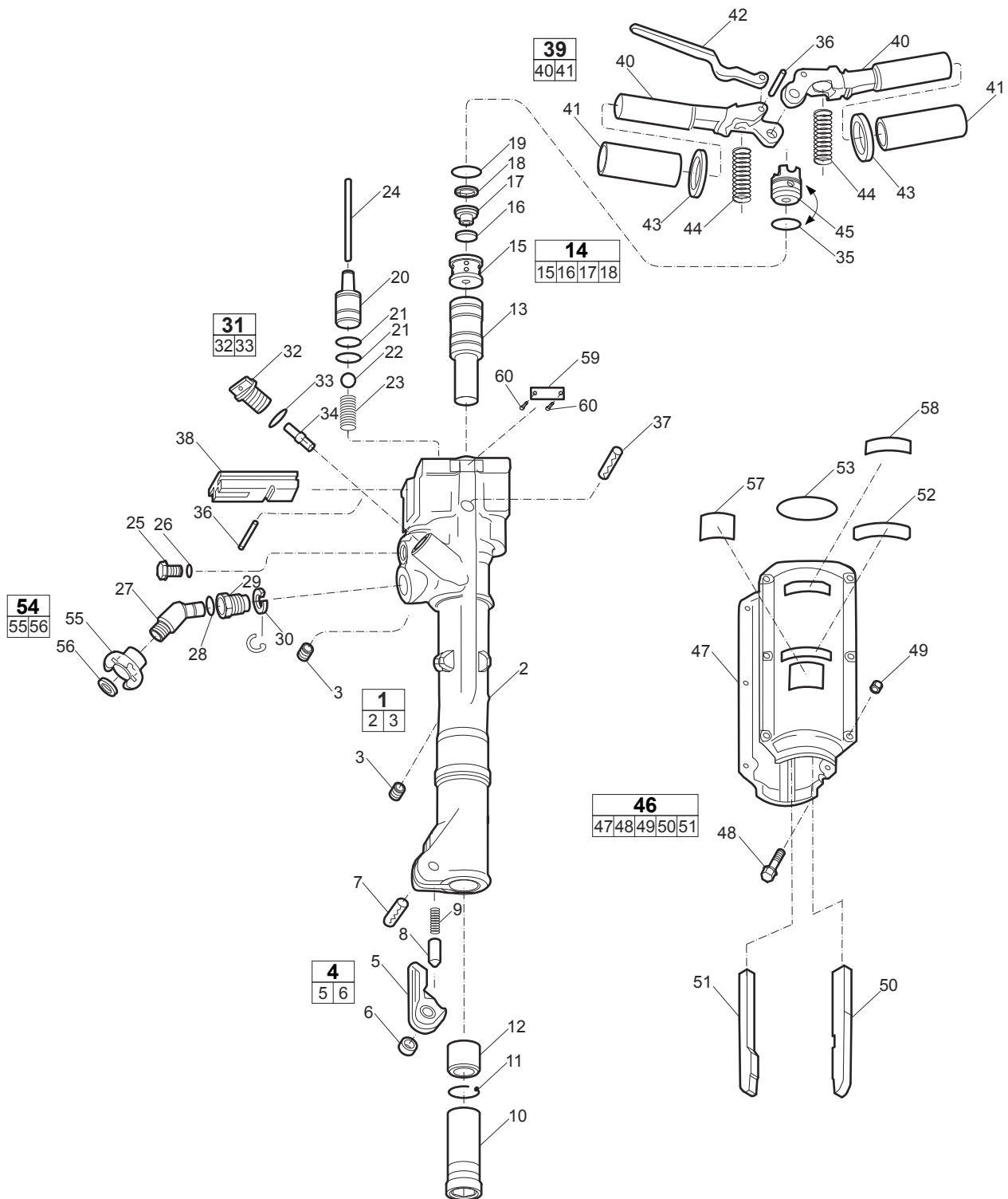


Contents

Spare parts list	4
TEX 15PE Hex 25x108	4
TEX 15PE Hex 22x82.5	8
TEX 15PE US Hex 25x108	12
Working tools	15
ISO standard Hex 25x108 mm (1"x4¼")	15
ISO standard Hex 22x82.5 mm (7⁄8"x3¼")	16
US standard Hex 1"x4¼" (25x108 mm)	16
US standard Hex 7⁄8"x3¼" (22x82.5 mm)	17
Accessories	18
Breaker and hammer AIR-OIL	18
Shank gauge	18

Spare parts list

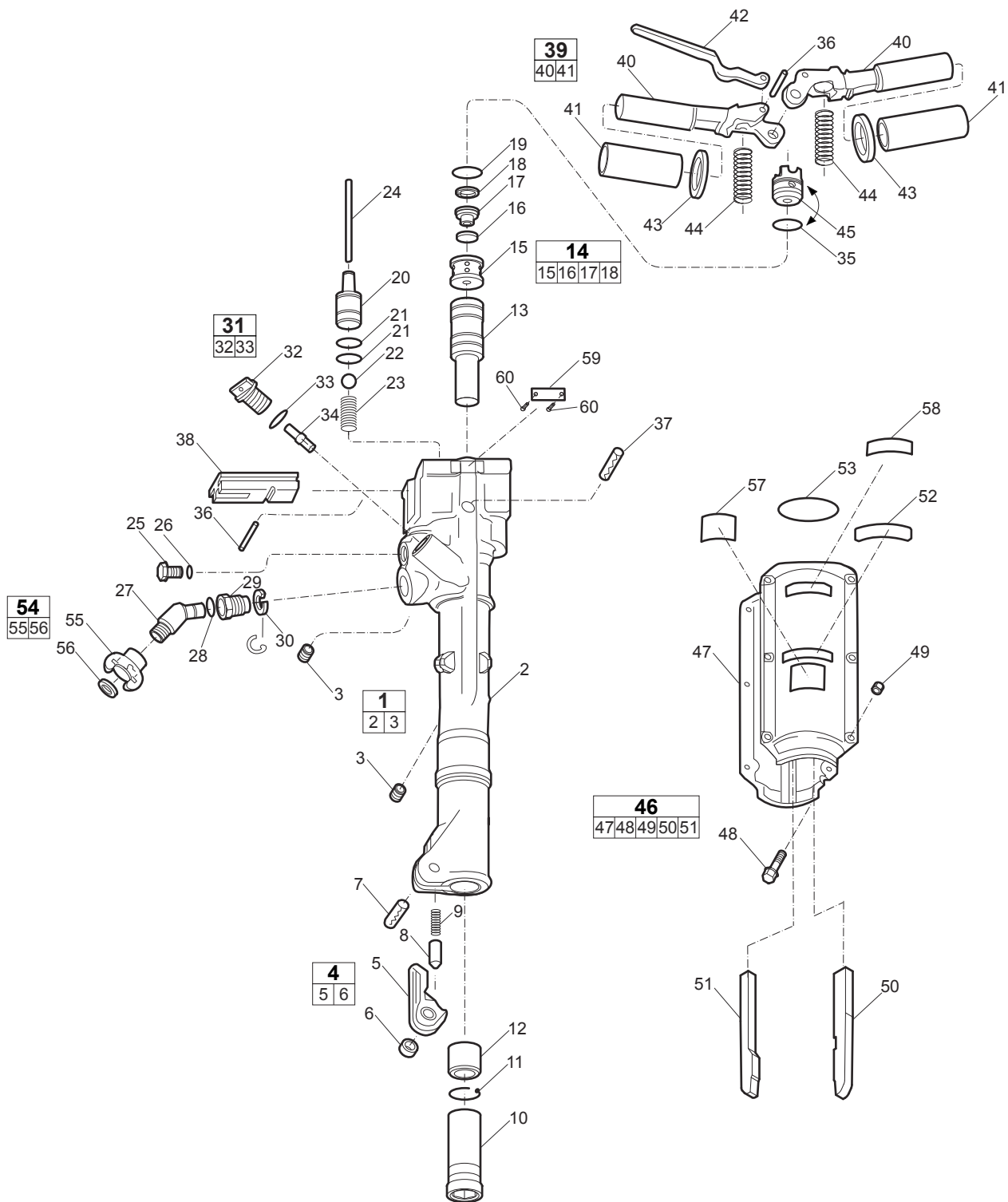
TEX 15PE Hex 25x108



No.	Description	Remark	Quantity	Part Number
1(2-3)	Cylinder, complete		1	3310 1138 00
2	Cylinder		1	-
3	Plug	ISO 7-GA $\frac{1}{4}$ "	2	0686 6102 00
4(5-6)	Tool retainer, complete		1	3310 0890 80
5	Tool retainer		1	-
6	Bushing		1	3310 0891 00
7	Spring pin	\varnothing 16x50 mm	1	0108 1691 05
8	Plunger		1	3310 1069 00
9	Spring		1	3310 0894 00
10	Tool chuck	Hex 25x108	1	3310 1143 00
11	Lock ring		1	3310 1145 00
12	Intermediate part		1	3310 1144 00
13	Piston		1	3310 1194 00
14(15-18)	Valve system, complete	Blue, \varnothing 51	1	3310 1165 90
15	Valve housing		1	-
16	Main valve		1	3310 1173 00
17	Valve cover		1	3310 1163 00
18	Steel washer	\varnothing 51x1.5 mm	1	3310 1164 00
19	O-ring	\varnothing 40.64x5.33 mm	1	0663 2101 09
20	Valve seat		1	3310 1078 00
21	O-ring	\varnothing 27.6x2.4 mm	2	0663 2105 43
22	Ball		1	3310 0983 00
23	Spring		1	3310 1079 00
24	Valve stem		1	3310 1039 00
25	Screw plug		1	3310 1042 00
26	O-ring		1	0663 2116 00
27	Swivel		1	3310 1043 01
28	O-ring	\varnothing 22.2x3 mm	1	0663 2126 00
29	Swivel nut		1	3310 1044 00
30	Lock washer		1	3310 1059 00
31(32-33)	Oil plug, complete		1	3310 1538 80
32	Oil plug		1	-
33	O-ring	\varnothing 22.2x3 mm	1	0663 2126 00
34	Dosing feeder		1	3310 1295 00
35	O-ring	\varnothing 44.2x3.0 mm	1	0663 2135 00
36	Spring pin	\varnothing 6x32 mm	2	0108 1330 00
37	Spring pin	\varnothing 16x85 mm	1	0108 1690 86
38	Cover		1	3310 1076 00
39(40-41)	Handle, complete		1	3310 1081 80
40	Handle		2	-
41	Sleeve		2	3310 1132 00
42	Trigger		1	3310 1082 00
43	Rubber wash		2	3310 1085 00
44	Spring		2	3310 1083 00
45	Seal plug		1	3310 1159 00
46(47-51)	Silencer, complete		1	3310 1326 80
47	Silencer		1	-
48	Flange screw	M6x50	6	0147 1976 05
49	Flange nut	M6	6	9232 0207 50
50	Separation wall	Front	1	3310 1328 00
51	Separation wall	Rear	1	3310 1329 00
52	Label	TEX 15PE	1	3310 1146 02
53	O-ring	\varnothing 64.2x5.7 mm	1	0663 2140 00

No.	Description	Remark	Quantity	Part Number
54(55-56)	Claw coupling, complete	G $\frac{3}{4}$	1	9000 0306 00
55	Claw coupling		1	-
56	Packing		1	9000 0000 00
57	Sound label		1	3310 0795 00
58	Label	Atlas Copco	1	0690 1356 00
59	Data plate		1	-
60	Drive screw		2	0244 4144 00

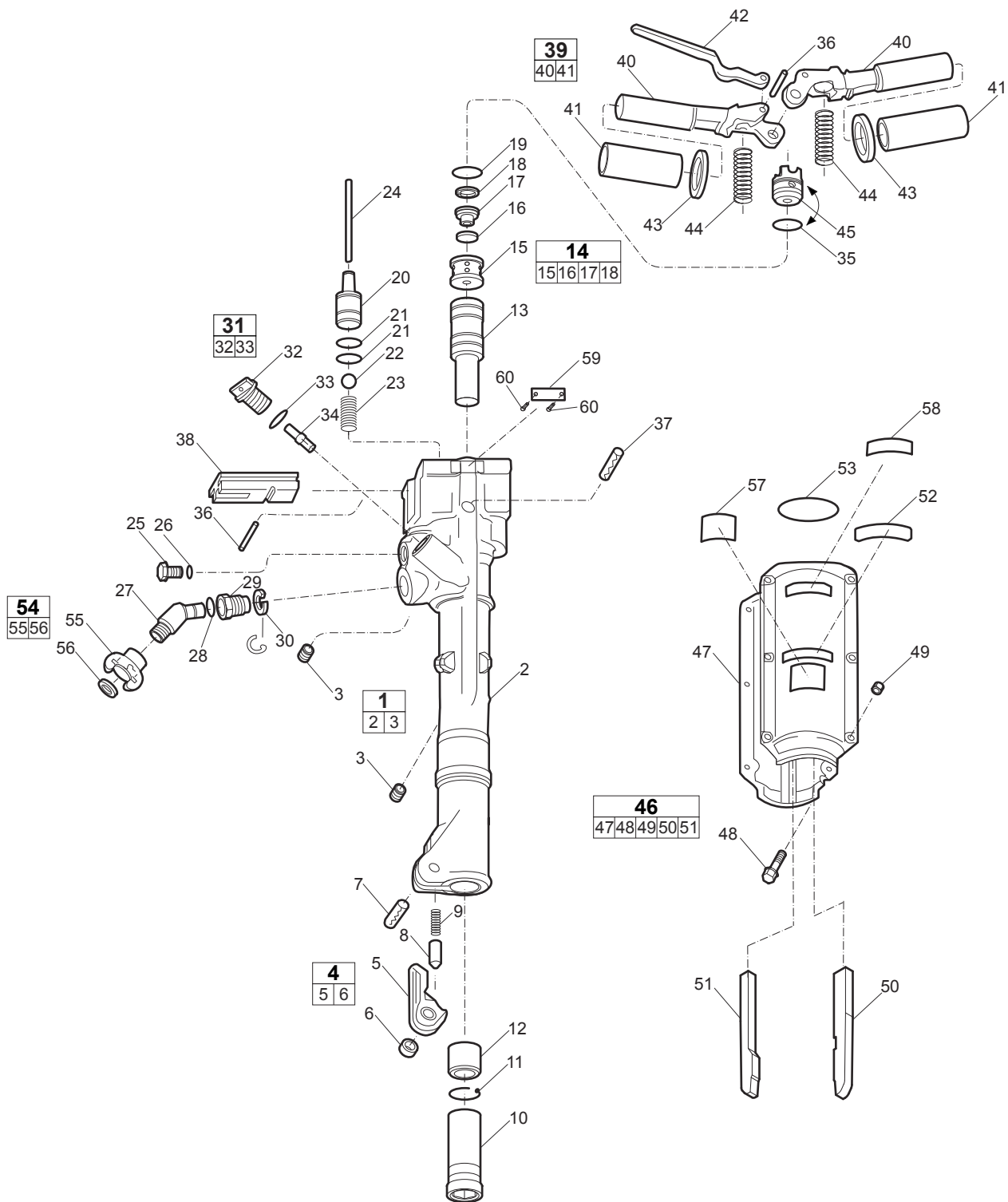
TEX 15PE Hex 22x82.5



No.	Description	Remark	Quantity	Part Number
1(2-3)	Cylinder, complete		1	3310 1138 00
2	Cylinder		1	-
3	Plug	ISO 7-GA $\frac{1}{4}$ "	2	0686 6102 00
4(5-6)	Tool retainer, complete		1	3310 0890 80
5	Tool retainer		1	-
6	Bushing		1	3310 0891 00
7	Spring pin	\varnothing 16x50 mm	1	0108 1691 05
8	Plunger		1	3310 1069 00
9	Spring		1	3310 0894 00
10	Tool chuck	Hex 22x82.5	1	3310 1330 00
11	Lock ring		1	3310 1145 00
12	Intermediate part		1	3310 1144 00
13	Piston		1	3310 1332 00
14(15-18)	Valve system, complete	Blue, \varnothing 51	1	3310 1165 90
15	Valve housing		1	-
16	Main valve		1	3310 1173 00
17	Valve cover		1	3310 1163 00
18	Steel washer	\varnothing 51x1.5 mm	1	3310 1164 00
19	O-ring	\varnothing 40.64x5.33 mm	1	0663 2101 09
20	Valve seat		1	3310 1078 00
21	O-ring	\varnothing 27.6x2.4 mm	2	0663 2105 43
22	Ball		1	3310 0983 00
23	Spring		1	3310 1079 00
24	Valve stem		1	3310 1039 00
25	Screw plug		1	3310 1042 00
26	O-ring		1	0663 2116 00
27	Swivel		1	3310 1043 01
28	O-ring	\varnothing 22.2x3 mm	1	0663 2126 00
29	Swivel nut		1	3310 1044 00
30	Lock washer		1	3310 1059 00
31(32-33)	Oil plug, complete		1	3310 1538 80
32	Oil plug		1	-
33	O-ring	\varnothing 22.2x3 mm	1	0663 2126 00
34	Dosing feeder		1	3310 1295 00
35	O-ring	\varnothing 44.2x3.0 mm	1	0663 2135 00
36	Spring pin	\varnothing 6x32 mm	2	0108 1330 00
37	Spring pin	\varnothing 16x85 mm	1	0108 1690 86
38	Cover		1	3310 1076 00
39(40-41)	Handle, complete		1	3310 1081 80
40	Handle		2	-
41	Sleeve		2	3310 1132 00
42	Trigger		1	3310 1082 00
43	Rubber wash		2	3310 1085 00
44	Spring		2	3310 1083 00
45	Seal plug		1	3310 1159 00
46(47-51)	Silencer, complete		1	3310 1326 80
47	Silencer		1	-
48	Flange screw	M6x50	6	0147 1976 05
49	Flange nut	M6	6	9232 0207 50
50	Separation wall	Front	1	3310 1328 00
51	Separation wall	Rear	1	3310 1329 00
52	Label	TEX 15PE	1	3310 1146 02
53	O-ring	\varnothing 64.2x5.7 mm	1	0663 2140 00

No.	Description	Remark	Quantity	Part Number
54(55-56)	Claw coupling, complete	G $\frac{3}{4}$	1	9000 0306 00
55	Claw coupling		1	-
56	Packing		1	9000 0000 00
57	Sound label		1	3310 0795 00
58	Label	Atlas Copco	1	0690 1356 00
59	Data plate		1	-
60	Drive screw		2	0244 4144 00

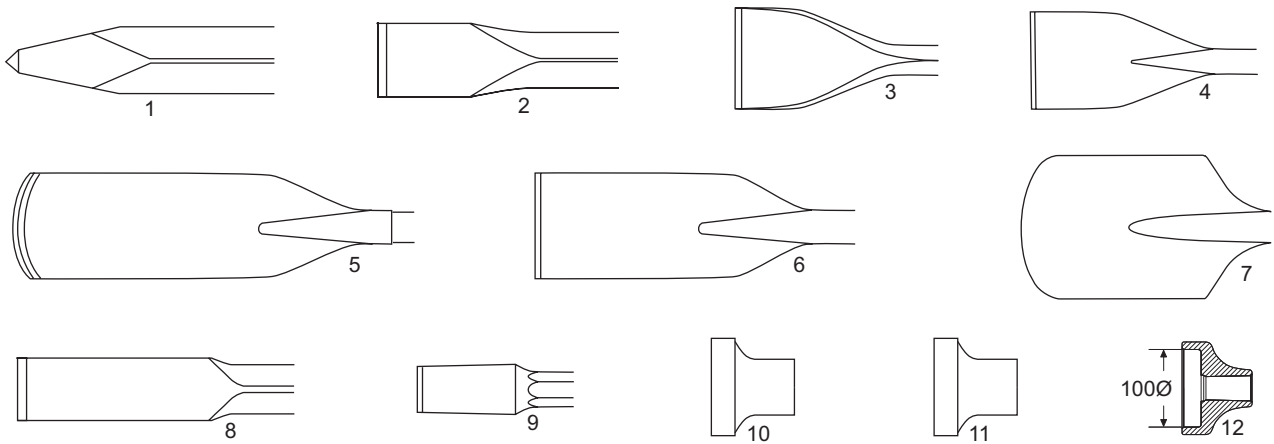
TEX 15PE US Hex 25x108



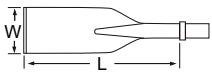
No.	Description	Remark	Quantity	Part Number
1(2-3)	Cylinder, complete		1	3310 1138 00
2	Cylinder		1	-
3	Plug	ISO 7-GA $\frac{1}{4}$ "	2	0686 6102 00
4(5-6)	Tool retainer, complete		1	3310 0890 80
5	Tool retainer		1	-
6	Bushing		1	3310 0891 00
7	Spring pin	\varnothing 16x50 mm	1	0108 1691 05
8	Plunger		1	3310 1069 00
9	Spring		1	3310 0894 00
10	Tool chuck	Hex 25x108	1	3310 1143 00
11	Lock ring		1	3310 1145 00
12	Intermediate part		1	3310 1144 00
13	Piston		1	3310 1194 00
14(15-18)	Valve system, complete	Blue, \varnothing 51	1	3310 1165 90
15	Valve housing		1	-
16	Main valve		1	3310 1173 00
17	Valve cover		1	3310 1163 00
18	Steel washer	\varnothing 51x1.5 mm	1	3310 1164 00
19	O-ring	\varnothing 40.64x5.33 mm	1	0663 2101 09
20	Valve seat		1	3310 1078 00
21	O-ring	\varnothing 27.6x2.4 mm	2	0663 2105 43
22	Ball		1	3310 0983 00
23	Spring		1	3310 1079 00
24	Valve stem		1	3310 1039 00
25	Screw plug		1	3310 1042 00
26	O-ring		1	0663 2116 00
27	Swivel		1	3310 1043 01
28	O-ring	\varnothing 22.2x3 mm	1	0663 2126 00
29	Swivel nut		1	3310 1044 00
30	Lock washer		1	3310 1059 00
31(32-33)	Oil plug, complete		1	3310 1538 80
32	Oil plug		1	-
33	O-ring	\varnothing 22.2x3 mm	1	0663 2126 00
34	Dosing feeder		1	3310 1295 00
35	O-ring	\varnothing 44.2x3.0 mm	1	0663 2135 00
36	Spring pin	\varnothing 6x32 mm	2	0108 1330 00
37	Spring pin	\varnothing 16x85 mm	1	0108 1690 86
38	Cover		1	3310 1076 00
39(40-41)	Handle, complete		1	3310 1081 80
40	Handle		2	-
41	Sleeve		2	3310 1132 00
42	Trigger		1	3310 1082 00
43	Rubber wash		2	3310 1085 00
44	Spring		2	3310 1083 00
45	Seal plug		1	3310 1159 00
46(47-51)	Silencer, complete		1	3310 1326 80
47	Silencer		1	-
48	Flange screw	M6x50	6	0147 1976 05
49	Flange nut	M6	6	9232 0207 50
50	Separation wall	Front	1	3310 1328 00
51	Separation wall	Rear	1	3310 1329 00
52	Label	TEX 15PE	1	3310 1146 02
53	O-ring	\varnothing 64.2x5.7 mm	1	0663 2140 00

No.	Description	Remark	Quantity	Part Number
54(55-56)	Claw coupling, complete	¾"-14 NPT	1	9001 0005 06
55	Claw coupling		1	-
56	Packing		1	9001 0005 15
57	Sound label		1	3310 0795 00
58	Label	Atlas Copco	1	0690 1356 00
59	Data plate		1	-
60	Drive screw		2	0244 4144 00

Working tools



ISO standard Hex 25x108 mm (1"x4¼")



No.	Description	W (mm)	L (mm)	Part number
1	Moil point	-	380 mm	3083 3253 00
2	Narrow chisel	-	380 mm	3083 3254 00
3	Wide chisel	75 mm	380 mm	3083 3255 00
5	Digging chisel	75 mm	380 mm	3083 3256 00
6	Digging spade	120 mm	380 mm	3083 3257 00
7	Clay spade	125 mm	430 mm	3083 3033 00
8	Wedge chisel	35 mm	380 mm	3083 3258 00
9	Shaft for tamping pad	-	280 mm	3083 3259 00
10	Tamping pad, round	175 mm	-	3083 3252 10
11	Tamping pad, square	175 mm	-	3083 3239 00
12	Driver pad, round	100 mm	-	9245 2817 90

ISO standard Hex 22x82.5 mm (7/8"x3 1/4")



No.	Description	W (mm)	L (mm)	Part number
1	Moil point	-	380 mm	3083 3242 00
		-	1000 mm	3083 3243 00
2	Narrow chisel	-	380 mm	3083 3244 00
		-	1000 mm	3083 3245 00
3	Wide chisel	75 mm	380 mm	3083 3246 00
4	Asphalt cutter	125 mm	380 mm	3083 3069 00
5	Digging chisel	75 mm	450 mm	3083 3247 00
6	Digging spade	120 mm	400 mm	3083 3248 00
7	Clay spade	125 mm	430 mm	3083 3249 00
8	Wedge chisel	35 mm	380 mm	3083 3250 00
9	Shaft for tamping pad	-	310 mm	3083 3251 00
10	Tamping pad, round	175 mm	-	3083 3252 10
11	Tamping pad, square	175 mm	-	3083 3239 00
12	Driver pad, round	100 mm	-	9245 2817 90

US standard Hex 1"x4 1/4" (25x108 mm)



No.	Description	W (in.)	L (in.)	Part number
1	Moil point	-	15"	3083 4030 00
		-	18"	3083 4030 10
		-	24"	3083 4030 20
2	Narrow chisel	1 3/32"	15"	3083 3309 00
		1 3/32"	18"	3083 4031 10
		1 3/32"	24"	3083 4031 20
3	Wide chisel	3"	15"	3083 3310 00
		3"	18"	3083 4032 00
4	Asphalt cutter	5"	13"	3083 4033 00
5	Digging chisel	3"	15"	3083 3311 00
6	Digging spade	4 3/4"	15"	3083 3312 00
7	Clay spade	5"	17"	3083 4035 00
8	Wedge chisel	2"	15"	3083 3313 00
9	Shaft for tamping pad	-	11"	3083 4037 00
10	Tamping pad, round	7"	-	3083 3252 10
11	Tamping pad, square	7"	-	3083 3239 00
12	Driver pad, round	4"	-	9245 2817 90

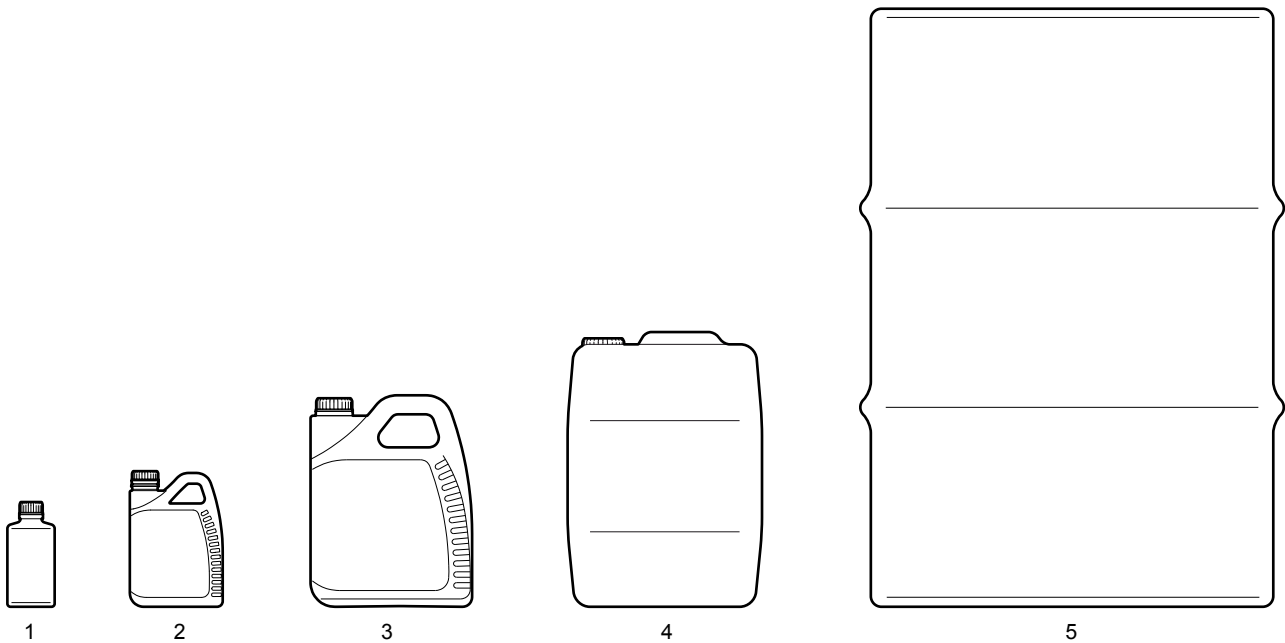
US standard Hex 7/8"x3 1/4" (22x82.5 mm)



No.	Description	W (in.)	L (in.)	Part number
1	Moil point	-	14"	3083 4050 00
		-	18"	3083 4050 10
		-	24"	3083 4050 20
2	Narrow chisel	-	14"	3083 3303 00
		-	18"	3083 4051 10
		-	24"	3083 3304 00
3	Wide chisel	4"	14"	3083 3305 00
		4 3/4"	18"	3083 4052 10
4	Asphalt cutter	5"	16"	3083 4053 00
5	Digging chisel	3"	14"	3083 3306 00
6	Digging spade	4 3/4"	13"	3083 3307 00
7	Clay spade	5"	17"	3083 3308 00
8	Wedge chisel	1 3/8"	15"	3083 4057 00
9	Shaft for tamping pad	-	8"	3083 4058 00
10	Tamping pad, round	7"	-	3083 3252 10
11	Tamping pad, square	7"	-	3083 3239 00
12	Driver pad, round	4"	-	9245 2817 90

Accessories

Breaker and hammer AIR-OIL



No.	Description	Remark	Quantity	Part Number
1	Breaker and hammer AIR-OIL 0.2 l	0.2 l (0.040 gallon)	1	8099 0202 40
2	Breaker and hammer AIR-OIL 1 l	1 l (0.22 gallon)	1	8099 0202 36
3	Breaker and hammer AIR-OIL 5 l	5 l (1.1 gallon)	1	8099 0202 02
4	Breaker and hammer AIR-OIL 20 l	20 l (4.4 gallon)	1	8099 0202 15
5	Breaker and hammer AIR-OIL 208 l Drum	208 l Drum (46 gallon)	1	8099 0202 28

Shank gauge

Description	Dimensions	Quantity	Part number
Gauge, Hex 25	25 mm (1")	1	3310 1509 25
Gauge Hex 28	28 mm (1 $\frac{1}{8}$ ")	1	3310 1509 28

Any unauthorized use or copying of the contents or any part thereof is prohibited.
This applies in particular to trademarks, model denominations, part numbers and drawings.

© 2008 Atlas Copco Construction Tools AB | No. 9800 0849 01a | 2008-02-01

Atlas Copco

www.atlascopco.com