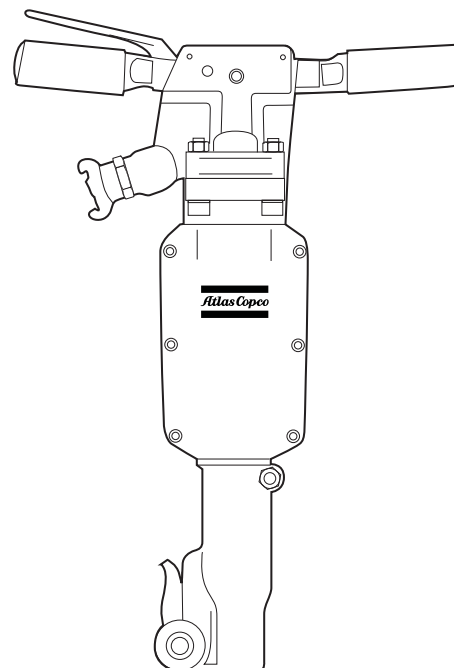


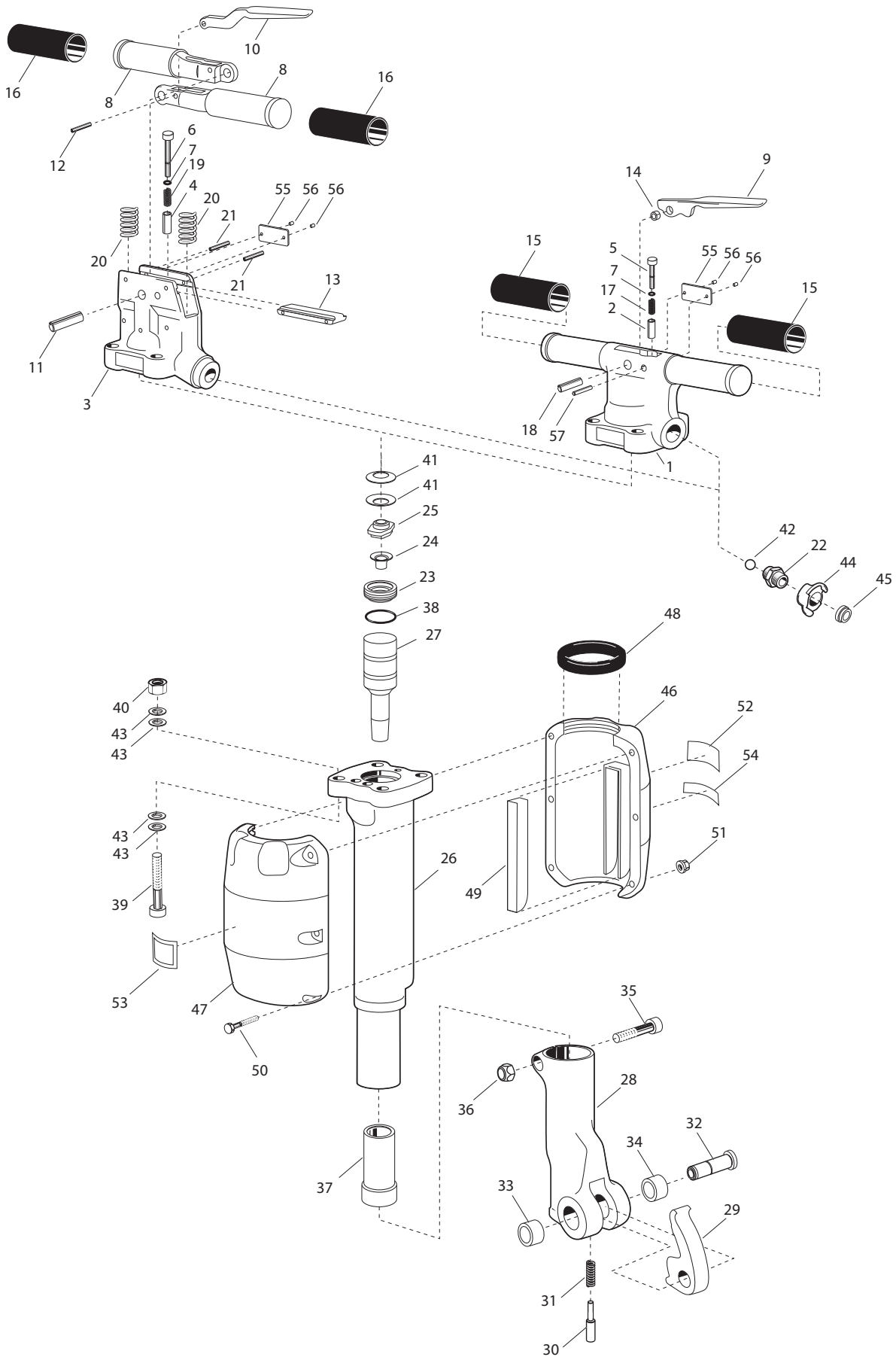
Spare parts list Pneumatic breakers



Contents

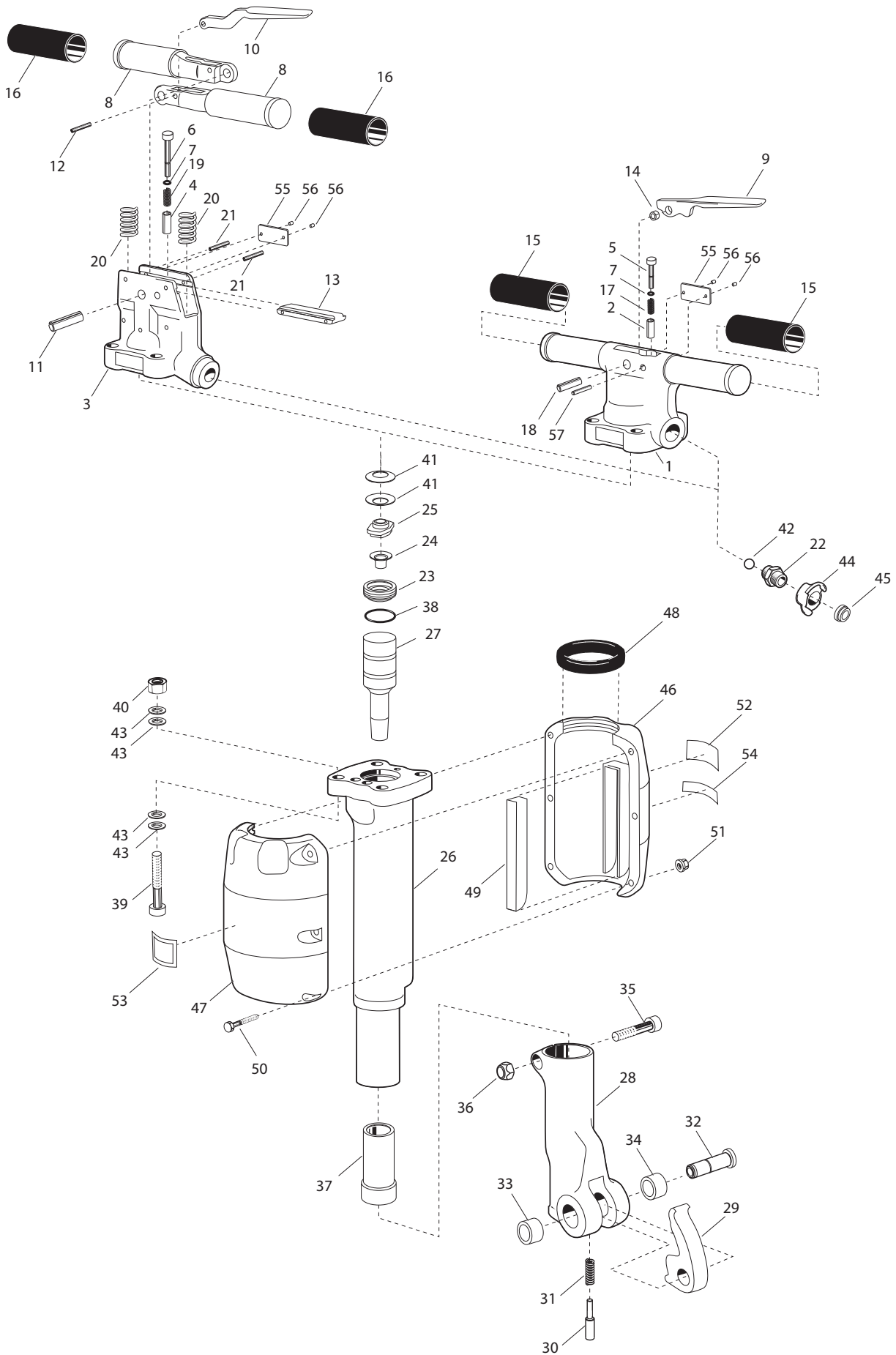
Exploded views and tables	4
Accessories	10

Exploded views and tables



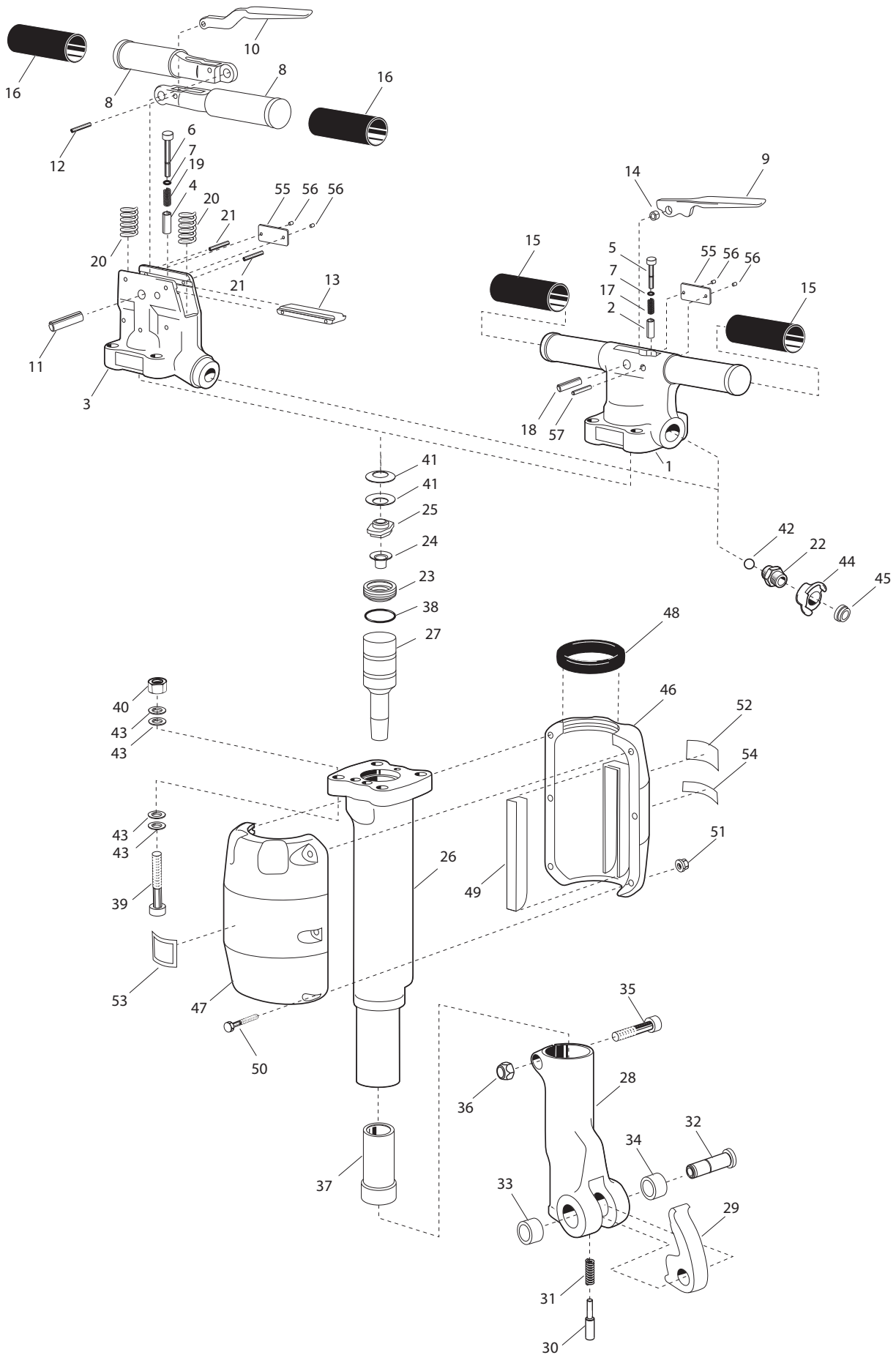
No.	Description	Quantity				Remark	Ordering No.
		20 PS	20 PS-1	21 PE	21 PE-1		
(1-2)	Back head	1	1	-	-	Bushing included	3360 0705 88
1	Back head	1	1	-	-		*)
2	Bushing	1	1	-	-		3360 4806 38
(3-4)	Back head	-	-	1	1	Bushing included	3363 0843 41
3	Back head	-	-	1	1		*)
4	Bushing	-	-	1	1		3360 3126 61
5	Valve stem	1	1	-	-		3360 1646 45
6	Valve stem	-	-	1	1		3363 0843 46
7	O-ring	1	1	1	1		0663 9136 00
8	Handle	-	-	2	2		3363 0843 42
9	Trigger	1	1	-	-		3360 1647 54
10	Trigger	-	-	1	1		3363 0843 44
11	Spring pin	-	-	1	1		0108 1691 76
12	Spring pin	-	-	1	1		0108 1328 00
13	Cover	-	-	1	1		3363 0843 50
14	Bushing	1	1	-	-		3360 1647 22
15	Sleeve	2	2	-	-		3360 0706 54
16	Sleeve	-	-	2	2		3360 9802 68
17	Spring	1	1	-	-		3360 4805 64
18	Spring pin	1	1	-	-		0108 1391 00
19	Spring	-	-	1	1		3363 0843 52
20	Spring	-	-	2	2		3363 0843 54
21	Spring pin	-	-	2	2		0108 1306 00
22	Nipple	1	1	1	1		9000 0343 00
23	Valve housing	1	1	1	1		3360 1646 47
24	Main valve	1	1	1	1		3360 1646 84
25	Cover	1	1	1	1		3360 1646 33

*) Not delivered separately



No.	Description	Quantity				Remark	Ordering No.
		20 PS	20 PS-1	21 PE	21 PE-1		
26	Cylinder	1	1	1	1		3360 1646 37
27	Piston	1	1	1	1		3360 1646 38
(28-36)	Front head compl.	1	-	1	-	H25x108	3360 0705 84
28	Front head	1	-	1	-	H25x108	3360 3125 59
29	Tool retainer	1	-	1	-		3360 9949 46
30	Plunger	1	-	1	-		3360 3125 25
31	Spring	1	-	1	-		3360 1640 37
32	Pin	1	-	1	-		3360 3125 23
33	Bushing right	1	-	1	-	ID = Ø17	3360 1646 90
34	Bushing left	1	-	1	-	ID = Ø19	3360 1646 89
35	Screw	1	-	1	-		0211 5161 86
36	Lock nut	1	-	1	-		0292 1408 00
(28-36)	Front head compl.	-	1	-	1	R25x75 SQ	3360 0705 92
28	Front head	-	1	-	1	R25x75 SQ	3360 1646 36
29	Tool retainer	-	1	-	1		3360 9949 46
30	Plunger	-	1	-	1		3360 3125 25
31	Spring	-	1	-	1		3360 1640 37
32	Pin	-	1	-	1		3360 3125 23
33	Bushing right	-	1	-	1	ID = Ø17	3360 1646 90
34	Bushing left	-	1	-	1	ID = Ø19	3360 1646 89
35	Screw	-	1	-	1		0211 5161 86
36	Lock nut	-	1	-	1		0292 1408 00
37	Tool chuck	1	-	1	-	H25x108	3360 1646 49
37	Tool chuck	-	1	-	1	R25x75 SQ	3360 1645 97
38	O-ring	1	1	1	1		0663 2112 19
39	Screw	4	4	4	4		0211 5161 85
40	Nut	4	4	4	4		0268 4108 00

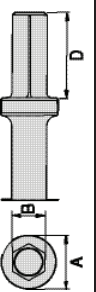
*) Not delivered separately



No.	Description	Quantity				Remark	Ordering No.
		20 PS	20 PS-1	21 PE	21 PE-1		
41	Disk spring	2	2	2	2		0384 3437 00
42	Ball	1	1	1	1		3310 1380 00
43	Lock washer	8	8	8	8		3315 0195 08
(44-45)	Claw coupling compl.	1	1	1	1		9000 0306 00
44	Claw coupling	1	1	1	1		*)
45	Gasket	1	1	1	1		9000 0000 00
(46-47)	Silencer compl.	1	1	1	1		3310 1344 00
46	Silencer	1	1	1	1	Front	*)
47	Silencer	1	1	1	1	Rear	*)
48	O-ring	1	1	1	1		0663 2142 00
49	Separation wall	1	1	1	1		3310 1382 00
50	Flange screw	6	6	6	6		0147 1976 05
51	Flange nut	6	6	6	6		9232 0207 50
52	Label	1	1	1	1	Atlas Copco	0690 1356 00
53	Label	1	1	1	1	Sound	*)
54	Label	1	1	-	-	TEX 20PS	*)
54	Label	-	-	1	1	TEX 21PE	*)
55	Data plate	1	1	1	1		*)
56	Screw	2	2	2	2		0244 4144 00
57	Spring pin	1	1	-	-		0108 1302 00

*) Not delivered separately

Accessories

1		2		3		4		5		6	
7		8		9		10		11		12	
ISO Point to flat											
H 25 x 108 mm											
 A = 41 mm B = 25 mm D = 108 mm											
W mm	L mm	Weight kg	Ordering No	W mm	L mm	Weight kg	Ordering No	W mm	L mm	Weight kg	Ordering No
-	380	2.1	3083 3253 00	-	380	2.1	3083 3253 00	-	330	1.6	3083 3265 00
28	380	2.1	3083 3254 00	25	450	2.4	3083 3316 00	25	330	1.6	3083 3266 00
75	380	2.5	3083 3255 00								
75	380	3.2	3083 3256 00	75	420	3.1	3083 3317 00				
120	380	3.9	3083 3257 00								
125	430	3.3	3083 3033 00	135	420	3.7	3083 3318 00				
35	380	2.4	3083 3258 00								
-	280	1.9	3083 3259 00								
175	-	7.5	3083 3252 10								
175	-	6.0	3083 3239 00								
100	-	2.5	9245 2817 90								

Use only authorized parts. Any damage or malfunction caused by the use of unauthorized parts is not covered by Warranty or Product Liability.



Any unauthorized use or copying of the contents or any part thereof is prohibited.
This applies in particular to trademarks, model denominations, part numbers and drawings.

© 2006 Atlas Copco Construction Tools AB, Stockholm, Sweden | No. 9800 0674 01a | 2006-10-25