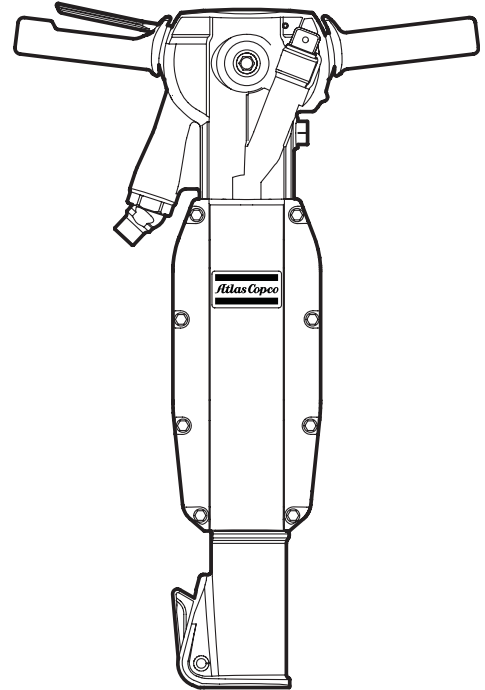


Spare parts list

Pneumatic breaker

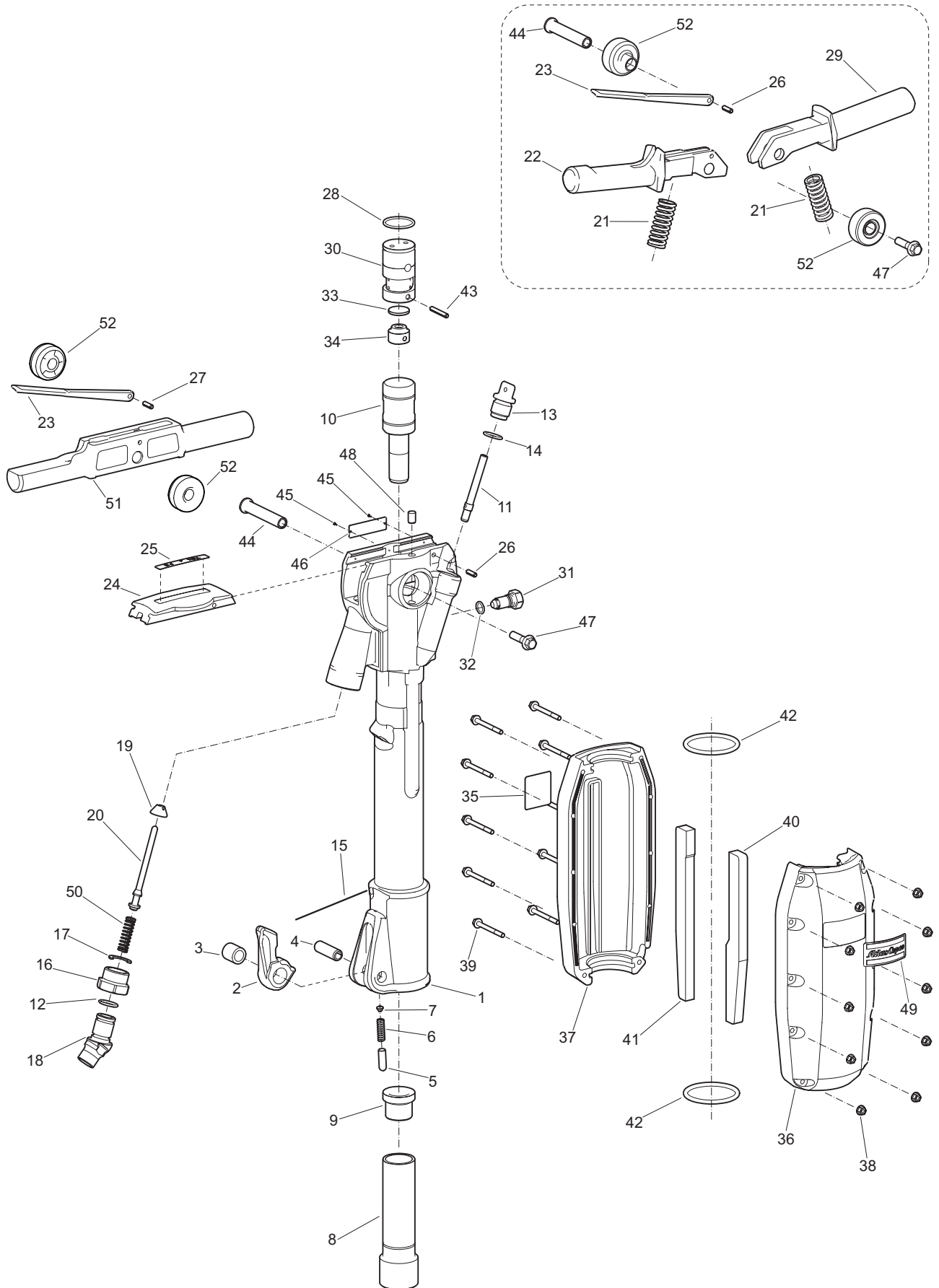
Model	Valid from serial No.
TEX220 PS 25x108	KAL000201
TEX220 PS 28x160	KAL000201
TEX220 PS 32x160	KAL000448
TEX230 PE 25x108	KAL000201
TEX230 PE 28x160	KAL000201
TEX230 PE 32x160	KAL000594



Contents

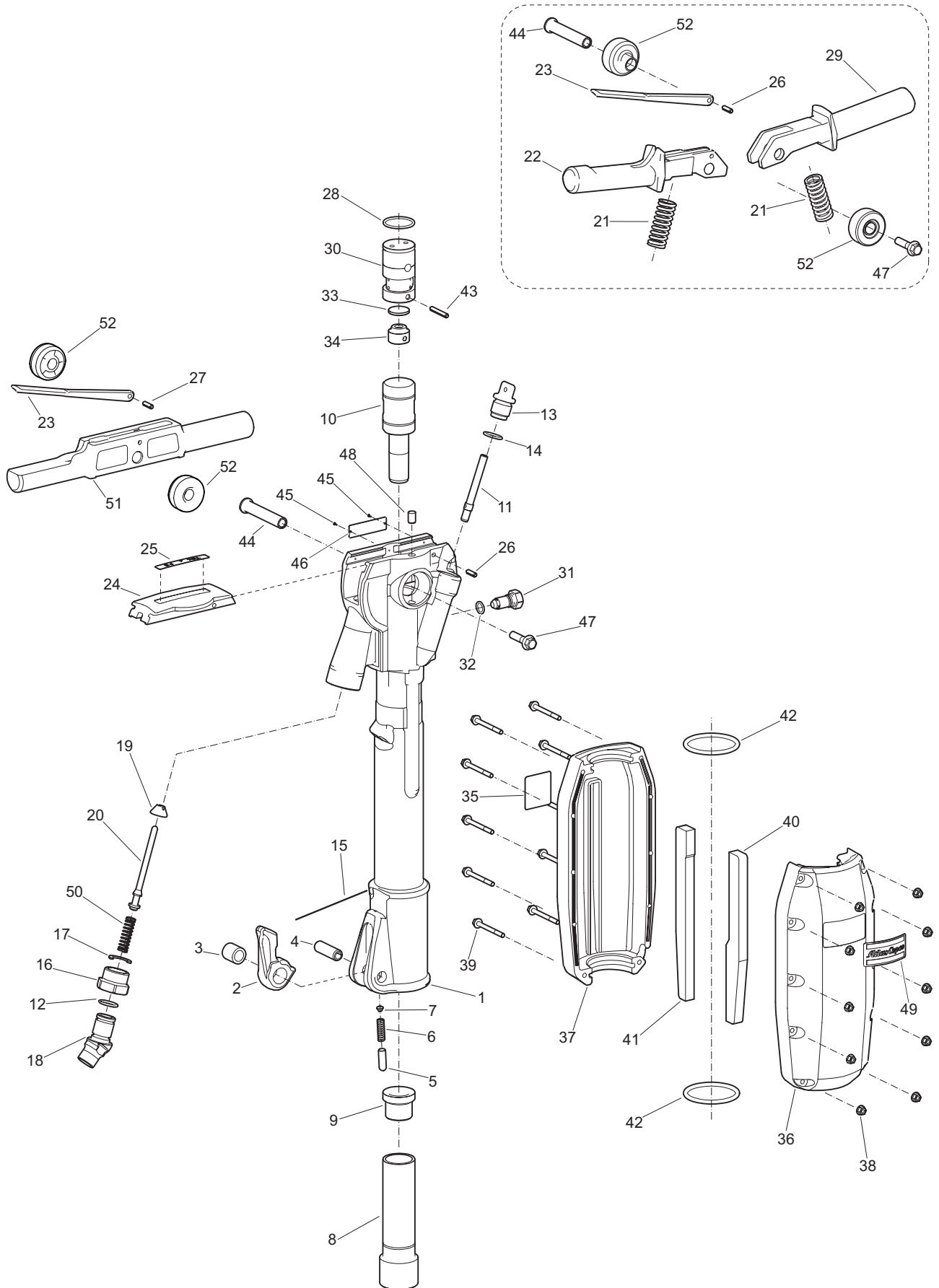
Spare parts list	4
Working tools, ISO standard	8
Working tools, US standard	9
Claw couplings	10
Air oil	10
Shank gauge	10

Spare parts list



No.	Description	Quantity						Ordering No.
		220PS 25x108	220PS 28x160	220PS 32x160	230PE 25x108	230PE 28x160	230PE 32x160	
1	Cylinder	1	-	-	1	-	-	3310 1530 00
1	Cylinder	-	1	1	-	1	1	3310 1529 00
(2-3)	Tool retainer kit	1	1	1	1	1	1	3310 0890 80
2	Tool retainer	1	1	1	1	1	1	—*)
3	Bushing	1	1	1	1	1	1	3310 0891 00
4	Spring pin	1	1	1	1	1	1	0108 1691 05
5	Plunger	1	1	1	1	1	1	3310 0893 00
6	Spring	1	1	1	1	1	1	3310 0894 00
7	Protection plug	1	1	1	1	1	1	3310 1508 00
8	Tool chuck	1	-	-	1	-	-	3310 1499 00
8	Tool chuck	-	1	-	-	1	-	3310 1456 00
8	Tool chuck	-	-	1	-	-	1	3310 1455 00
9	Intermediate part	1	1	-	1	1	-	3310 1457 00
9	Intermediate part	-	-	1	-	-	1	3310 1550 00
10	Piston	1	1	1	1	1	1	3310 1454 00
11	Dosing feeder	1	1	1	1	1	1	3310 1260 00
12	O-ring	1	1	1	1	1	1	0663 2126 00
(13-14)	Oil plug kit	1	1	1	1	1	1	3310 1462 80
13	Oil plug	1	1	1	1	1	1	—*)
14	O-ring	1	1	1	1	1	1	0663 2126 00
15	Lock wire	1	1	1	1	1	1	3310 1534 00
16	Swivel nut	1	1	1	1	1	1	3310 1044 00
17	Lock washer	1	1	1	1	1	1	3310 1059 00
18	Swivel	1	1	1	1	1	1	3310 1536 00
19	Inlet valve	1	1	1	1	1	1	3310 1211 00
20	Valve stem	1	1	1	1	1	1	3310 1492 00
21	Spring	-	-	-	1	1	1	3310 1083 00
22	Handle	-	-	-	1	1	1	3310 1458 80
23	Trigger	1	1	1	1	1	1	3310 1460 80
24	Cover	1	1	1	1	1	1	3310 1478 00
25	Label	1	1	1	-	-	-	3310 1516 07
25	Label	-	-	-	1	1	1	3310 1516 08
26	Spring pin	1	1	1	2	2	2	0108 1324 00
27	Pin	1	1	1	-	-	-	0102 0320 00
28	O-ring	1	1	1	1	1	1	0663 2134 00
29	Handle	-	-	-	1	1	1	3310 1459 80

*) Not delivered separately

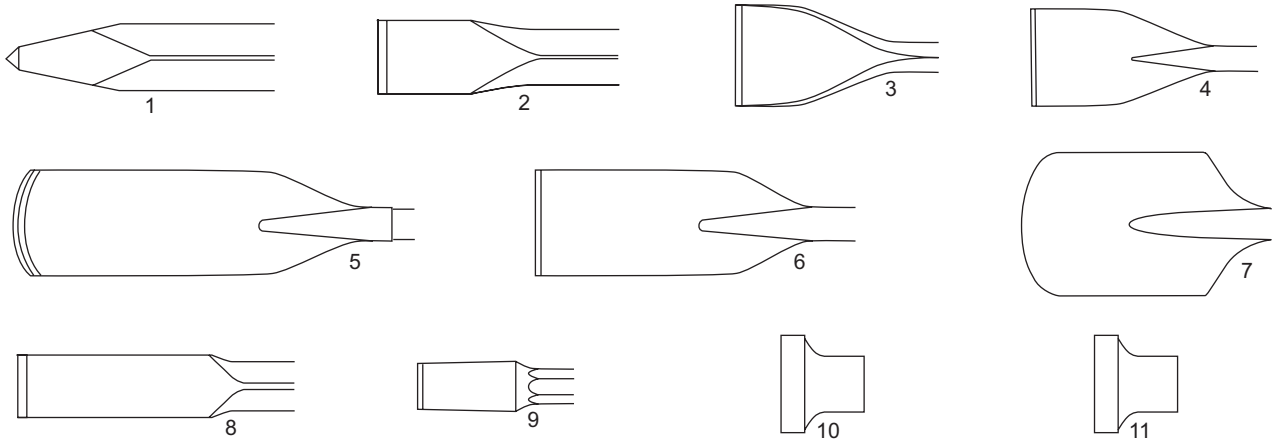


No.	Description	Quantity						Ordering No.
		220PS 25x108	220PS 28x160	220PS 32x160	230PE 25x108	230PE 28x160	230PE 32x160	
30	Valve housing	1	1	1	1	1	1	3310 1453 00
(31–32)	Screw kit	1	1	1	1	1	1	3310 1476 80
31	Screw	1	1	1	1	1	1	— *)
32	O-ring	1	1	1	1	1	1	0663 2120 00
33	Main valve	1	1	1	1	1	1	3310 1173 00
34	Valve cover	1	1	1	1	1	1	3310 1245 00
35	Sound label	1	-	-	1	-	-	— *)
35	Sound label	-	1	1	-	1	1	— *)
(36–42)	Silencer kit	1	-	-	1	-	-	3310 1512 80
(36–37)	Silencer	1	-	-	1	-	-	3310 1512 00
36	Front	1	-	-	1	-	-	— *)
37	Rear	1	-	-	1	-	-	— *)
38	Flange nut	8	-	-	8	-	-	9232 0207 50
39	Flange screw	8	-	-	8	-	-	0147 1976 06
40	Separation wall	1	-	-	1	-	-	3310 1518 40
41	Separation wall	1	-	-	1	-	-	3310 1518 41
42	O-ring	2	-	-	2	-	-	0663 2114 13
(36–42)	Silencer kit	-	1	1	-	1	1	3310 1477 82
(36–37)	Silencer	-	1	1	-	1	1	3310 1477 00
36	Front	-	1	1	-	1	1	— *)
37	Rear	-	1	1	-	1	1	— *)
38	Flange nut	-	10	10	-	10	10	9232 0207 50
39	Flange screw	-	10	10	-	10	10	0147 1976 06
40	Separation wall	-	1	1	-	1	1	3310 1518 30
41	Separation wall	-	1	1	-	1	1	3310 1518 31
42	O-ring	-	2	2	-	2	2	0663 2114 14
43	Spring pin	1	1	1	1	1	1	0108 1332 00
44	Guide shaft	1	1	1	1	1	1	3310 1479 00
45	Screw	2	2	2	2	2	2	0244 4144 00
46	Data plate	1	1	1	1	1	1	— *)
47	Flange screw	1	1	1	1	1	1	0147 3000 18
48	Plug	1	1	1	1	1	1	3310 1090 00
49	Label	1	1	1	1	1	1	0690 1356 00
50	Spring	1	1	1	1	1	1	3310 1537 00
51	Handle	1	1	1	-	-	-	3310 1510 00
52	Buffer	2	2	2	-	-	-	3310 1517 00
52	Buffer	-	-	-	2	2	2	3310 1461 00

*) Not delivered separately

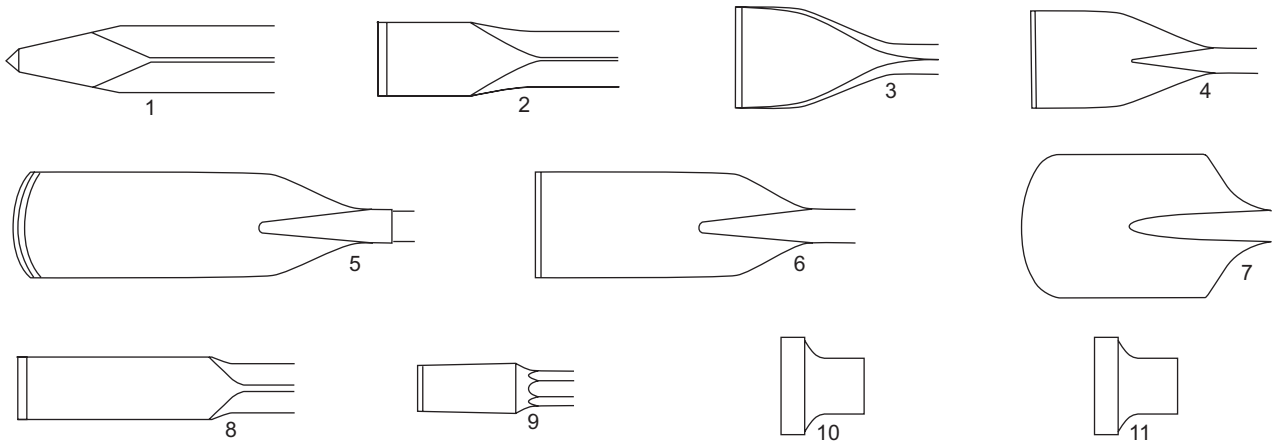
Working tools, ISO standard

No.		ISO standard 25 x 108 mm 1" x 4 1/4"			ISO standard 28 x 160 mm 1 1/8" x 6 1/4"			ISO standard 32 x 160 mm 1 1/4" x 6 1/4"		
		W (mm)	L (mm)	Ordering No.	W (mm)	L (mm)	Ordering No.	W (mm)	L (mm)	Ordering No.
1	Moil point	-	380	3083 3253 00	-	380	3083 3271 00	-	380	3083 3205 00
		-			-	450	3083 3272 00	-	450	3083 3206 00
		-			-	1000	3083 3273 00	-	1000	3083 3207 00
2	Narrow chisel	28	380	3083 3254 00	32	380	3083 3274 00	35	380	3083 3208 00
					32	450	3083 3275 00	35	450	3083 3209 00
					32	1000	3083 3276 00	35	1000	3083 3210 00
3	Wide chisel	75	380	3083 3255 00	75	380	3083 3277 00	75	380	3083 3211 00
4	Asphalt cutter	-	-	-	115	300	3083 3278 00	115	300	3083 3212 00
5	Digging chisel	75	380	3083 3256 00	75	380	3083 3279 00	75	380	3083 3213 00
6	Digging spade	120	380	3083 3257 00	125	380	3083 3280 00	125	380	3083 3214 00
7	Clay spade	125	430	3083 3033 00	140	380	3083 3281 00	140	380	3083 3215 00
8	Wedge chisel	35	380	3083 3258 00	40	400	3083 3282 00	40	400	3083 3216 00
9	Shaft for tamping pad	-	280	3083 3259 00	-	230	3083 3283 01	-	235	3083 3218 01
10	Tamping pad, round	175	-	3083 3252 10	180	-	3083 3301 00	180	-	3083 3301 00
11	Tamping pad, square	175	-	3083 3239 00	150	-	3083 3302 00	150	-	3083 3302 00
					200	-	3083 3197 00	200	-	3083 3197 00



Working tools, US standard

No.	Diagram	US standard 1" x 4 1/4" 25 x 108 mm			US standard 1 1/8" x 6" 28 x 152 mm			US standard 1 1/4" x 6" 32 x 152 mm		
		W (in.)	L (in.)	Ordering No.	W (in.)	L (in.)	Ordering No.	W (in.)	L (in.)	Ordering No.
1	Moil point	-	15	3083 4030 00	-	14	3083 3267 00	-	14	3083 3285 00
		-	18	3083 4030 10	-	18	3083 4015 10	-	18	3083 4000 10
		-	24	3083 4030 20	-	36	3083 4015 30	-	36	3083 4000 30
		-	36	3083 4030 30						
2	Narrow chisel	1 3/32	15	3083 3309 00	1 1/4	14	3083 3268 00	1 3/8	14	3083 3286 00
		1 3/32	18	3083 4031 10	1 1/4	18	3083 4016 10	1 3/8	18	3083 4001 10
		1 3/32	24	3083 4031 20	1 1/4	36	3083 4016 30	1 3/8	24	3083 4001 20
		1 3/32	36	3083 4031 30						
3	Wide chisel	3	15	3083 3310 00	3	15	3083 3289 00	3	15	3083 3295 00
		3	18	3083 4032 00						
4	Asphalt cutter	5	13	3083 4033 00	5	13	3083 3290 00	5	13	3083 3296 00
5	Digging chisel	3	15	3083 3311 00	3	15	3083 3291 00	3	15	3083 3297 00
6	Digging spade	4 3/4	15	3083 3312 00	5	15	3083 3292 00	5	15	3083 3298 00
7	Clay spade	5	17	3083 4035 00	5 1/2	15	3083 3293 00	5 1/2	15	3083 3299 00
8	Wedge chisel	2	15	3083 3313 00	2	16	3083 3294 00	2	16	3083 3300 00
9	Shaft for tamping pad	-	11	3083 4037 00	-	9	3083 3269 00	-	9	3083 3287 00
10	Tamping pad, round	7	-	3083 3252 10	7	-	3083 3301 00	7	-	3083 3301 00
11	Tamping pad, square	7	-	3083 3239 00	6	-	3083 3302 00	6	-	3083 3302 00
					8	-	3083 3197 00	8	-	3083 3197 00



Claw couplings

Description	Quantity	Dimensions	Ordering No.
Claw coupling, complete	1	Standard 3/4"	9000 0306 00
Claw coupling	1		— *)
Seal	1		9000 0000 00
Claw coupling with strainer, complete	1	Standard 3/4"	9000 0306 01
Claw coupling	1		— *)
Strainer	1		9000 0000 10
Seal	1		9000 0000 00
Claw coupling, complete	1	US-universal 3/4"	9001 0005 06
Claw coupling	1		— *)
Seal	1		9001 0005 15

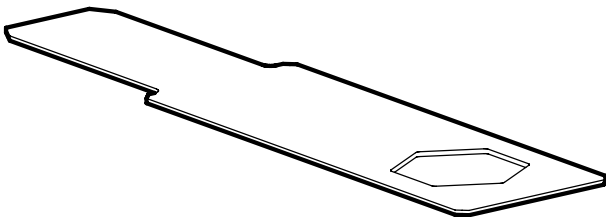
Air oil

Description	Dimensions	Ordering No.
Air oil bottle 0,2 l	0,2 l	8099 0202 40
Air oil bottle 1 l	1 l	8099 0202 36
Air oil container 5 l	5 l	8099 0202 02
Air oil container 25 l	25 l	8099 0202 20
Air oil barrel 200 l	200 l	8099 0202 28



Shank gauge

Description	Dimensions	Ordering No.
Gauge, Hex 25	25 mm (1")	3310 1509 25
Gauge, Hex 28	28 mm (1 1/8")	3310 1509 28
Gauge, Hex 32	32 mm (1 1/4")	3310 1509 32





Any unauthorized use or copying of the contents or any part thereof is prohibited.
This applies in particular to trademarks, model denominations, part numbers and drawings.

© 2007 Atlas Copco Construction Tools AB, Stockholm, Sweden | No. 9800 0753 01c | 2007-09-24